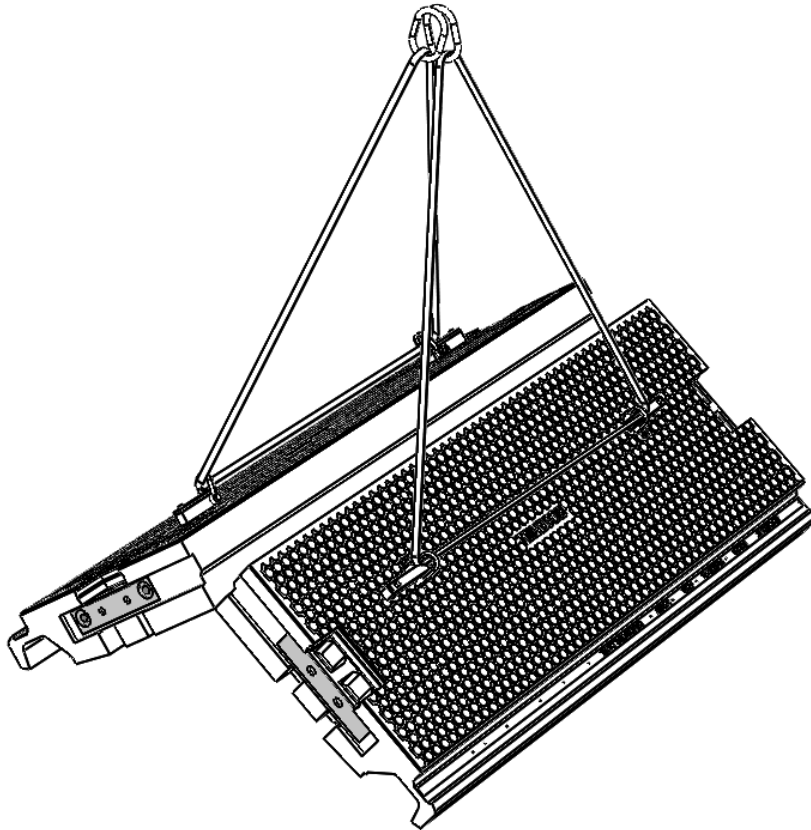


## Interlocking Crossing System

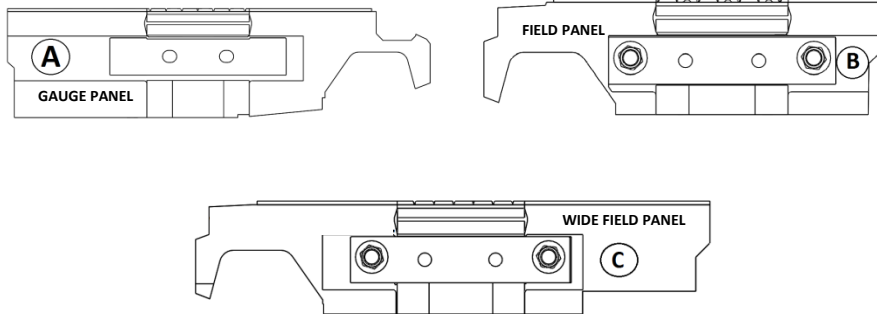


# Installation Guide & Maintenance Guide



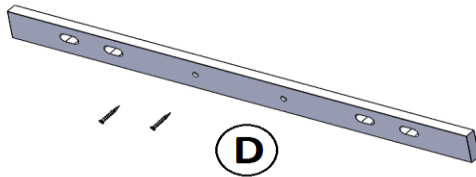
# INTERLOCKING COMPONENTS LIST

## PANELS

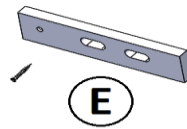


## CONNECTOR PLATES & FIXING SCREWS

### GAUGE

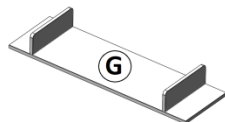
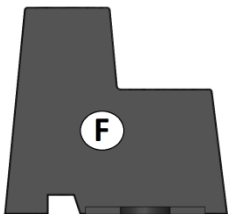


### FIELD

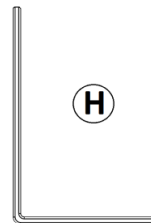


## RUBBER EDGE BEAM

### & CONNECTING PLATE



## PVC EDGE BEAM

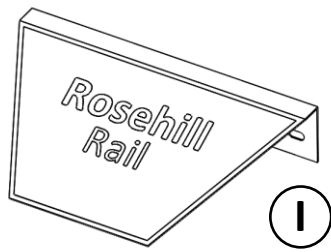


## CHAIN GUARD

## PACKER

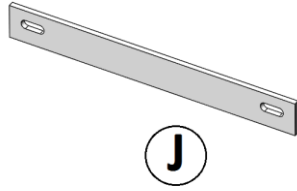
## FIXING BOLTS WITH WASHERS ASSEMBLED

Copper Grease required(not supplied)

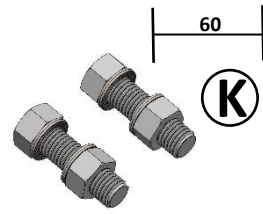


PANEL BOLTS

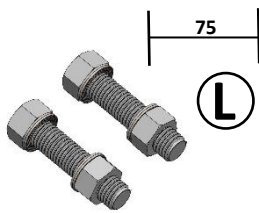
Copper Grease required(not supplied)



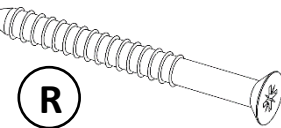
DOUBLE COVER PLATE



END COVER PLATE



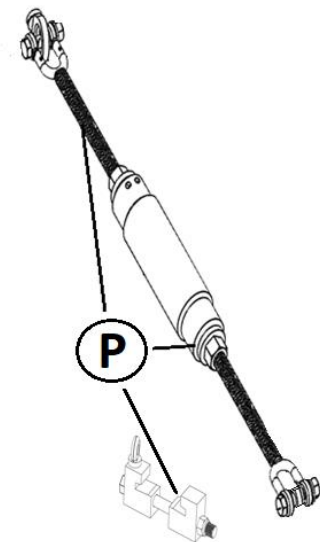
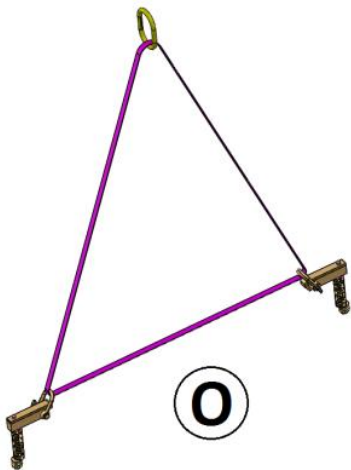
LIFTING PIN KIT



WOOD SCREW



END RESTRAINT

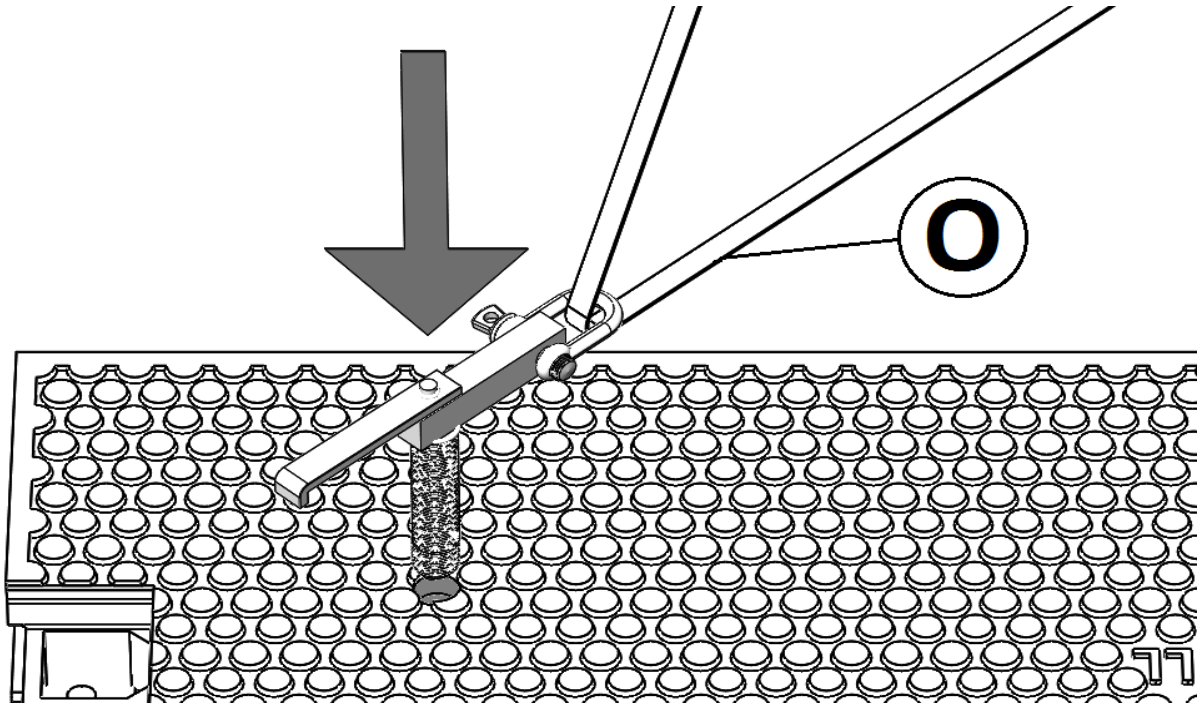


RUBBER PLUG

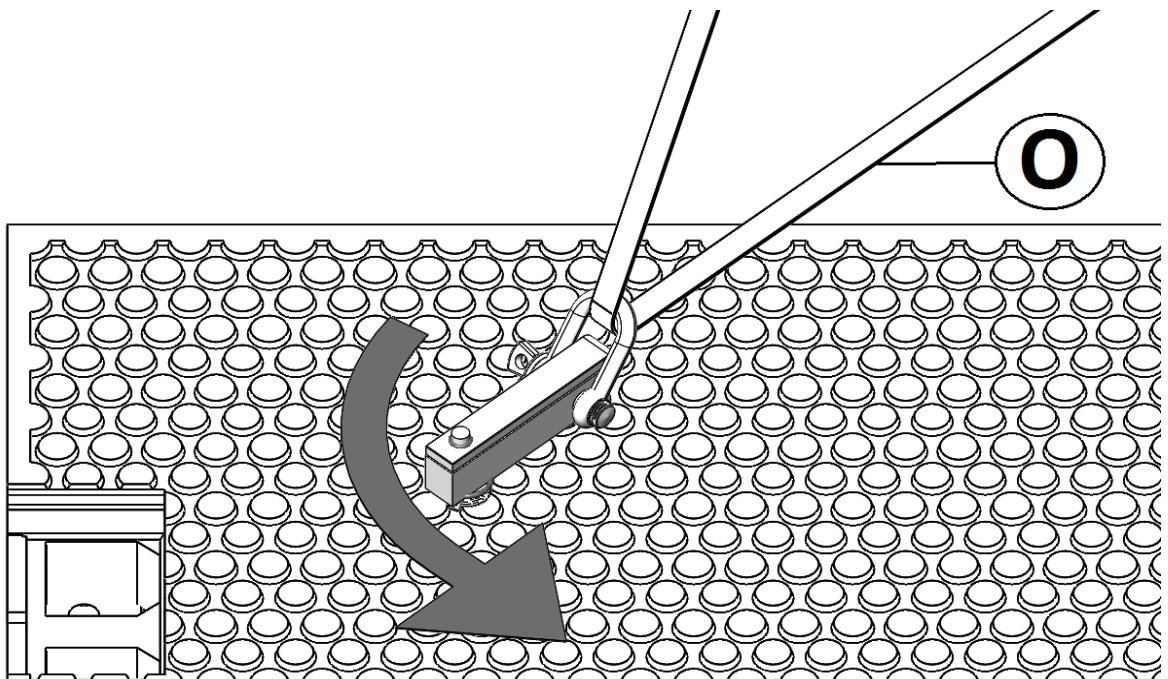
ROSEHILL TOOL KIT



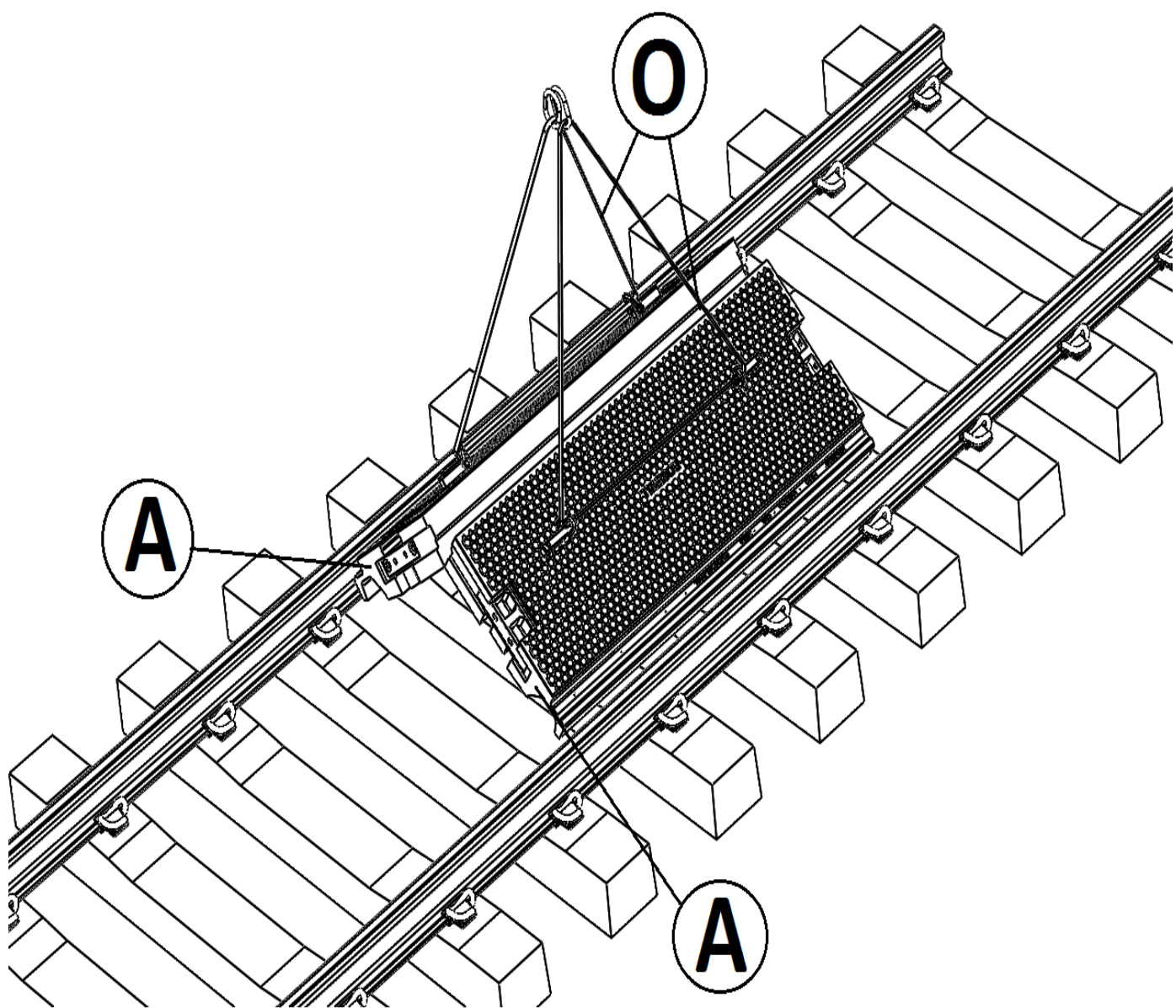
1a



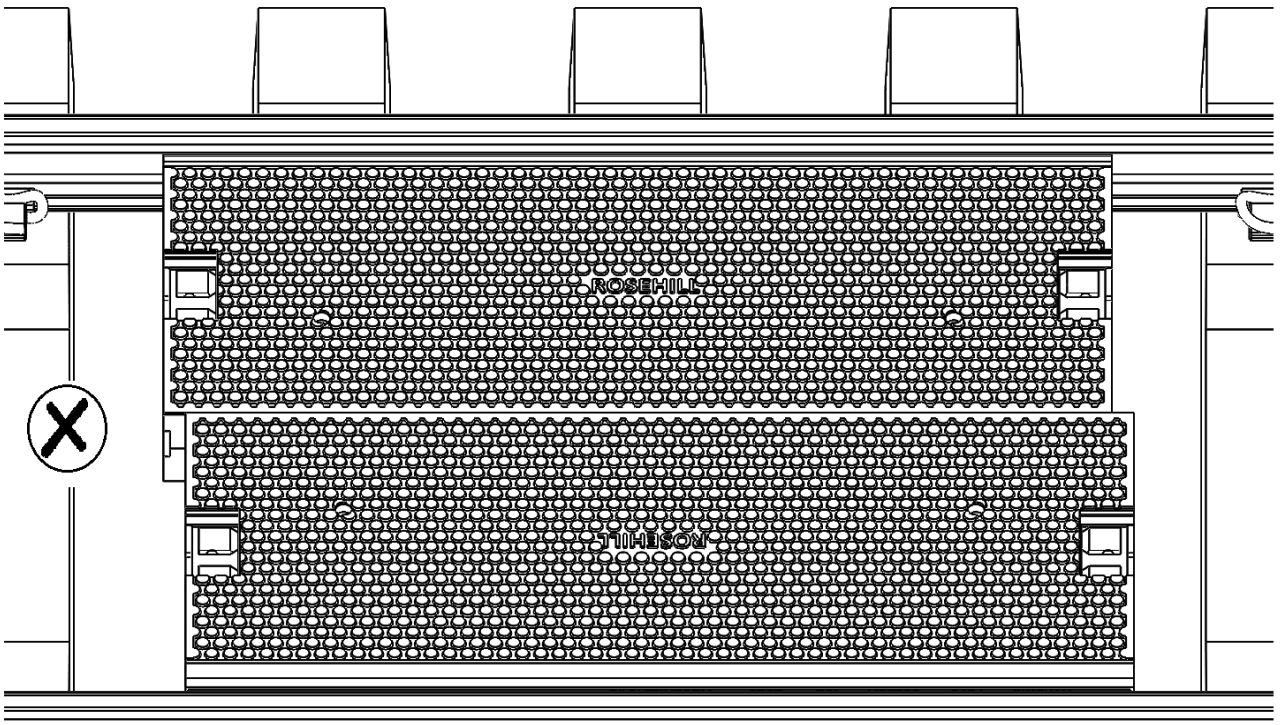
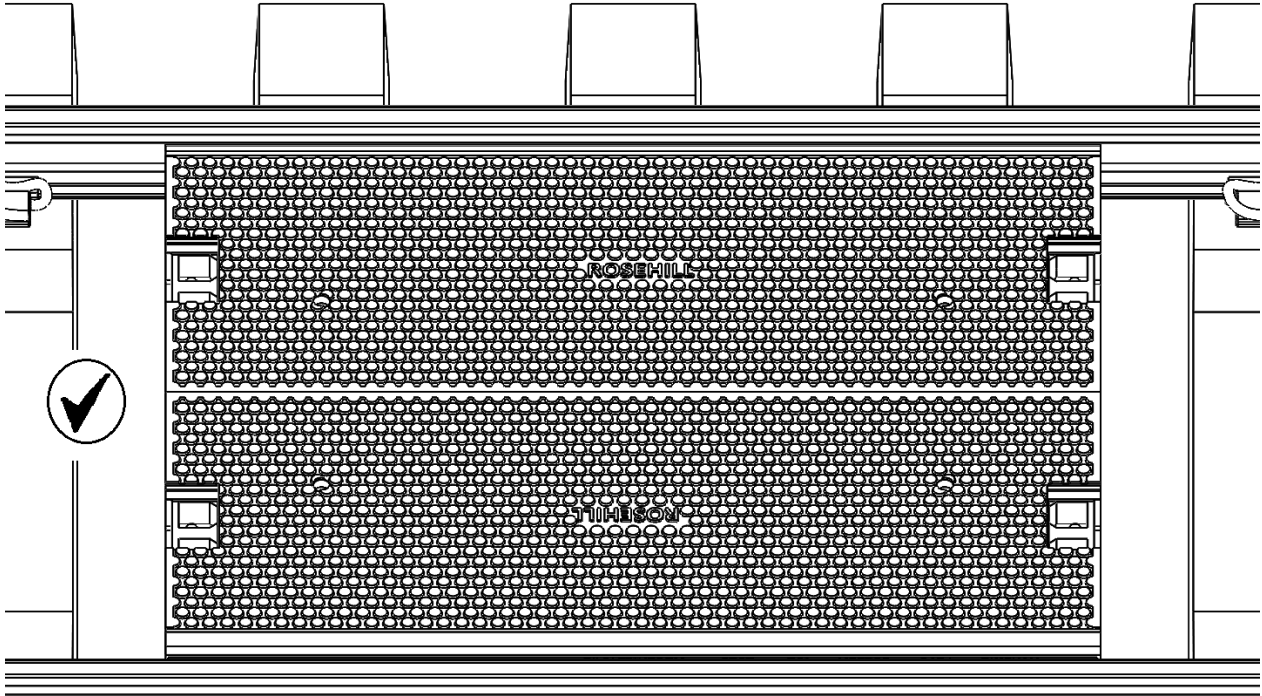
1b



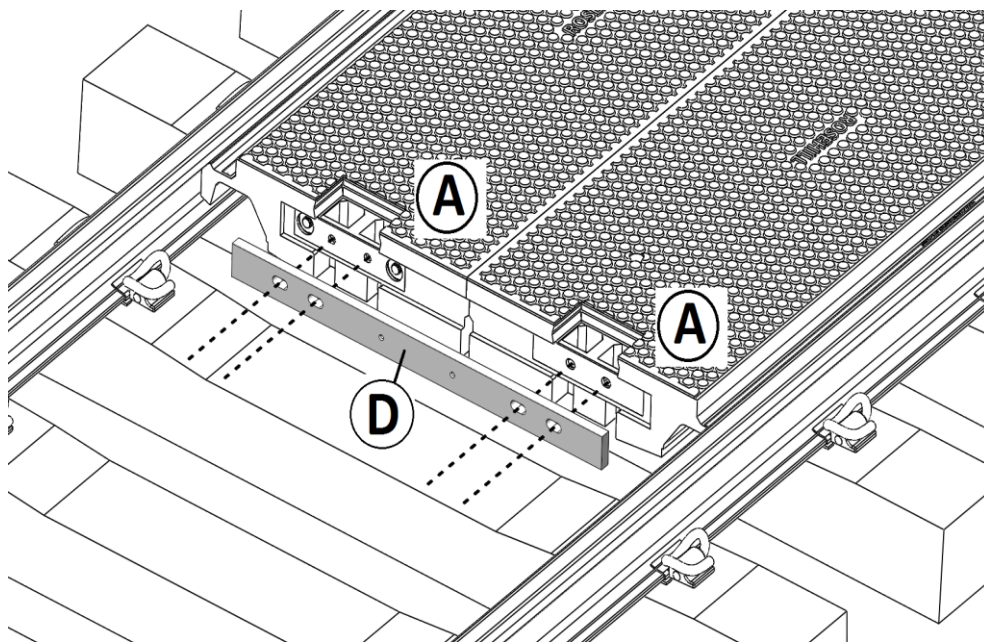
2



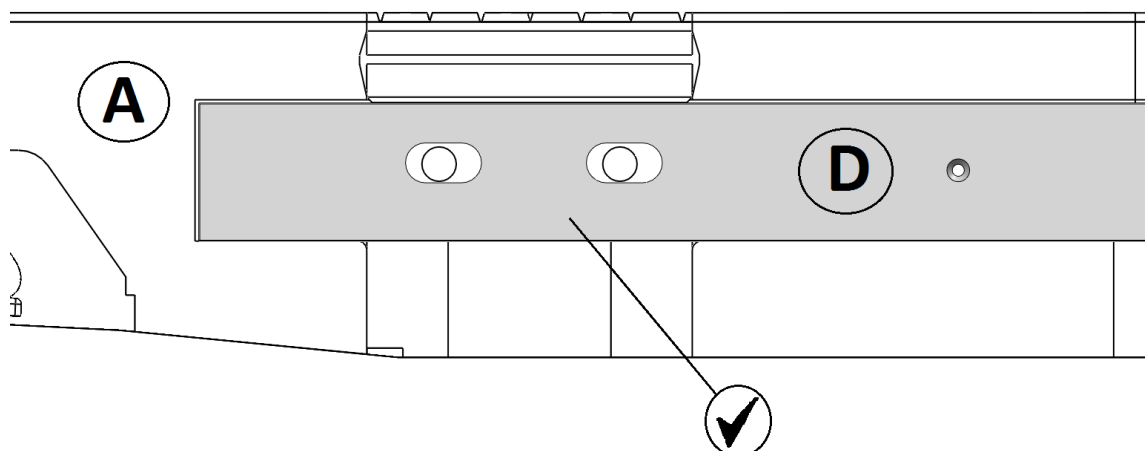
3



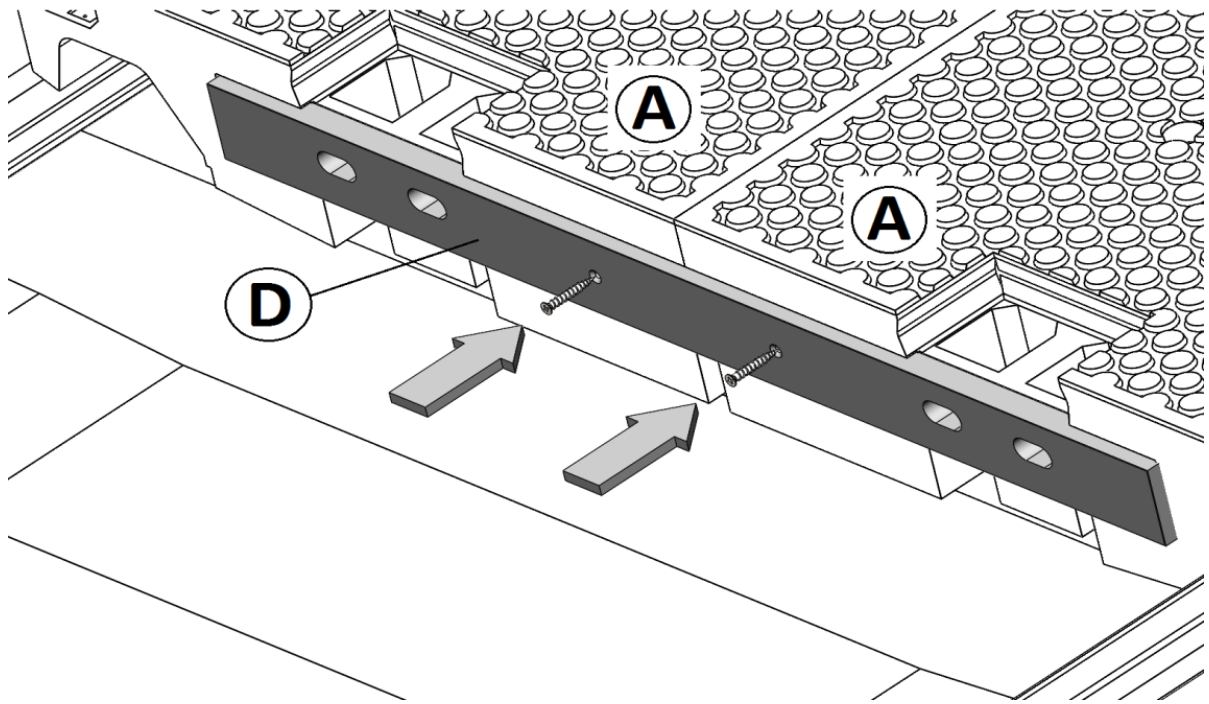
4



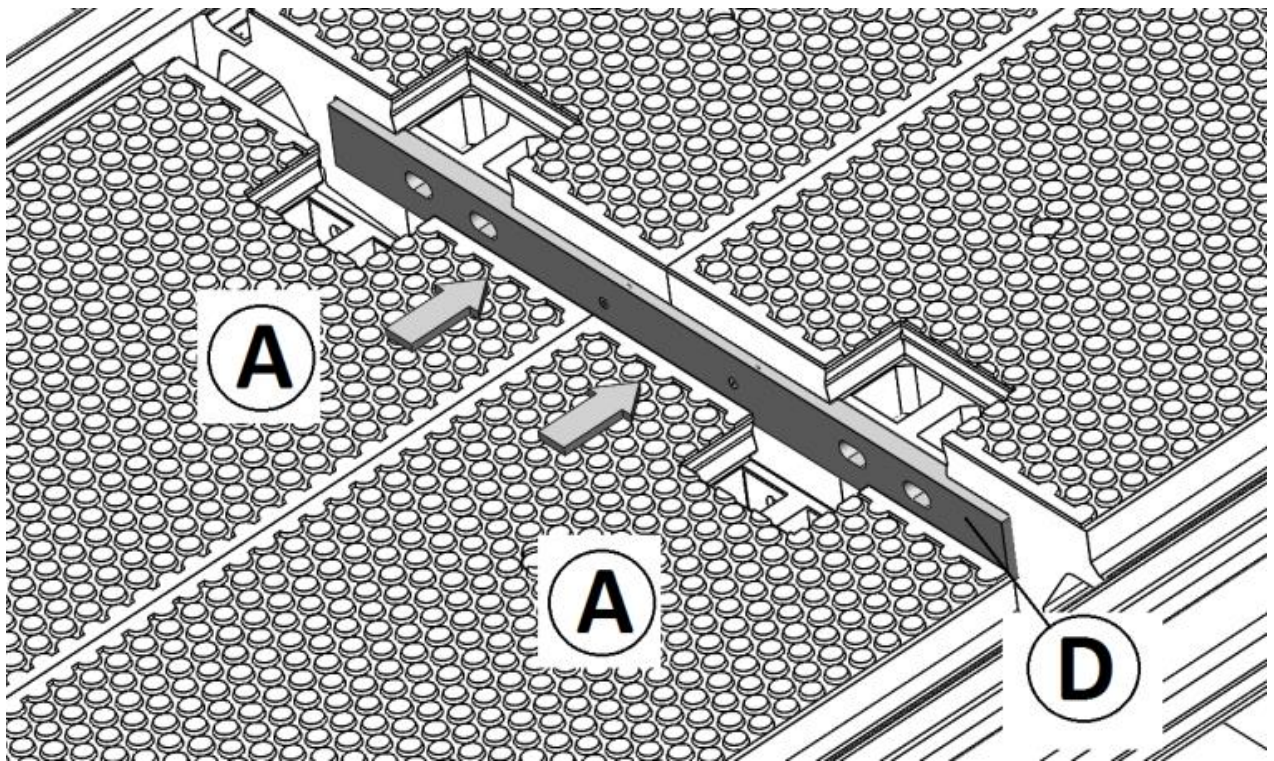
5 



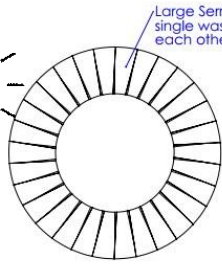
6



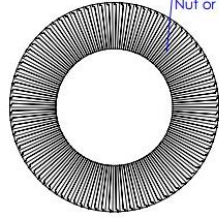
7



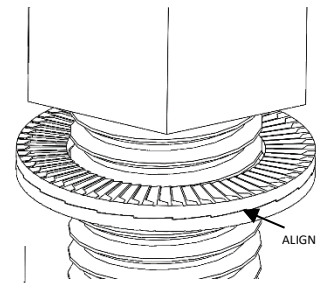




Large Serrations on single washers to face each other.



Small Serrations to face Nut or Panel.

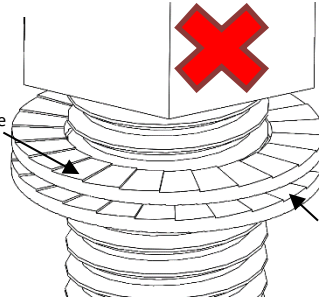


ALIGN THE LARGE SERRATIONS

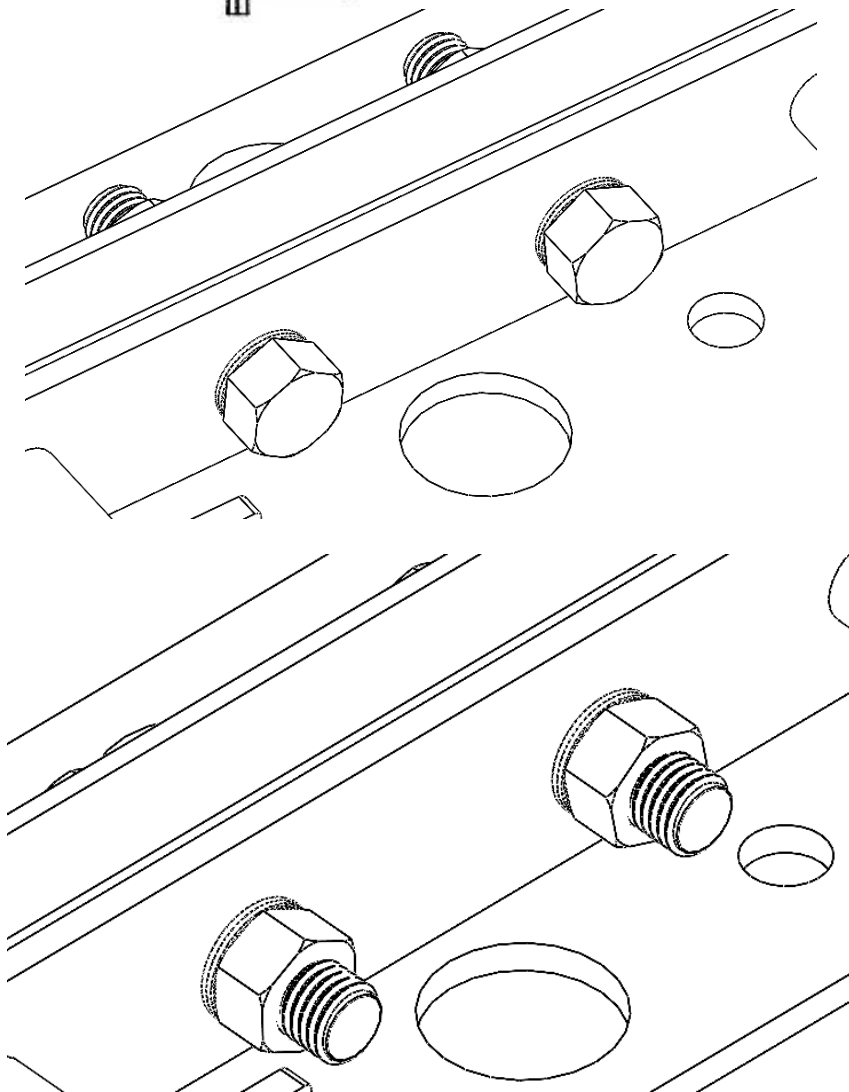
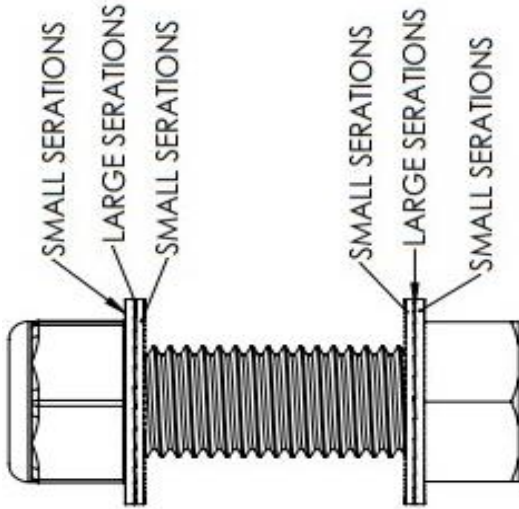


Apply copper grease to each bolt assembly

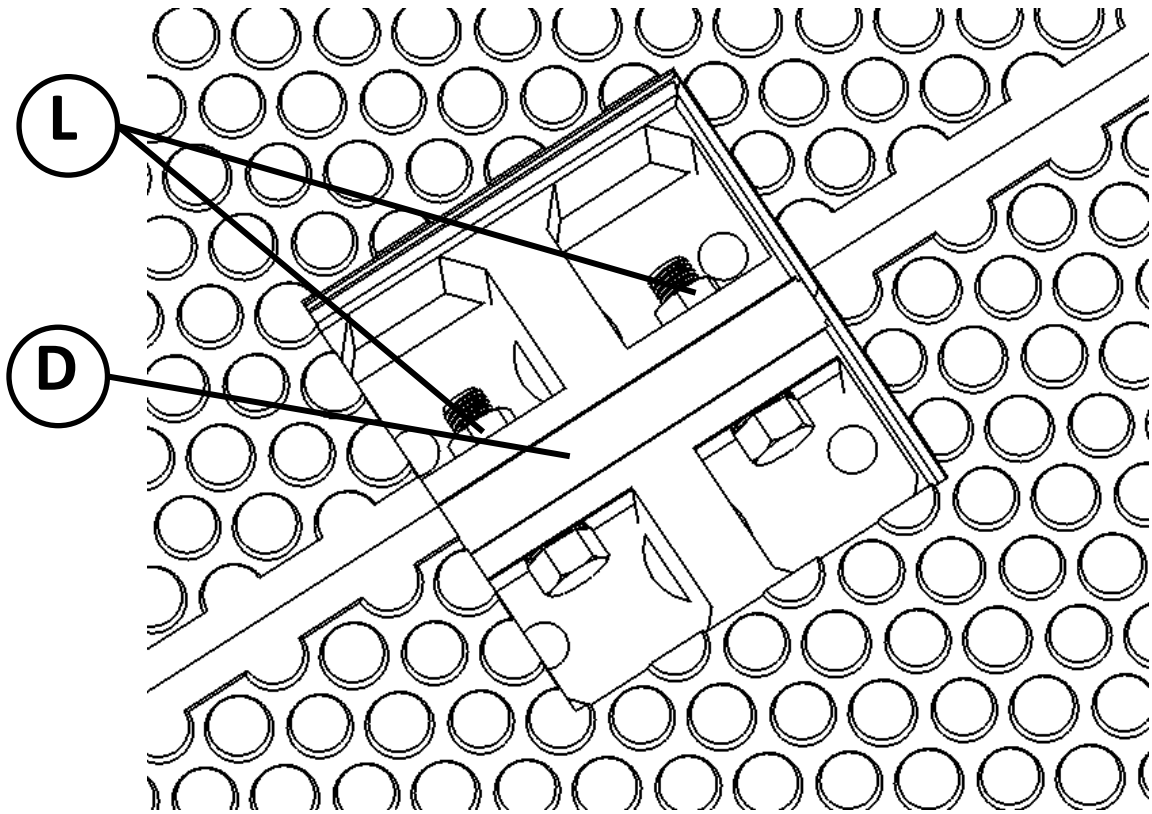
Large Serrations on single washers




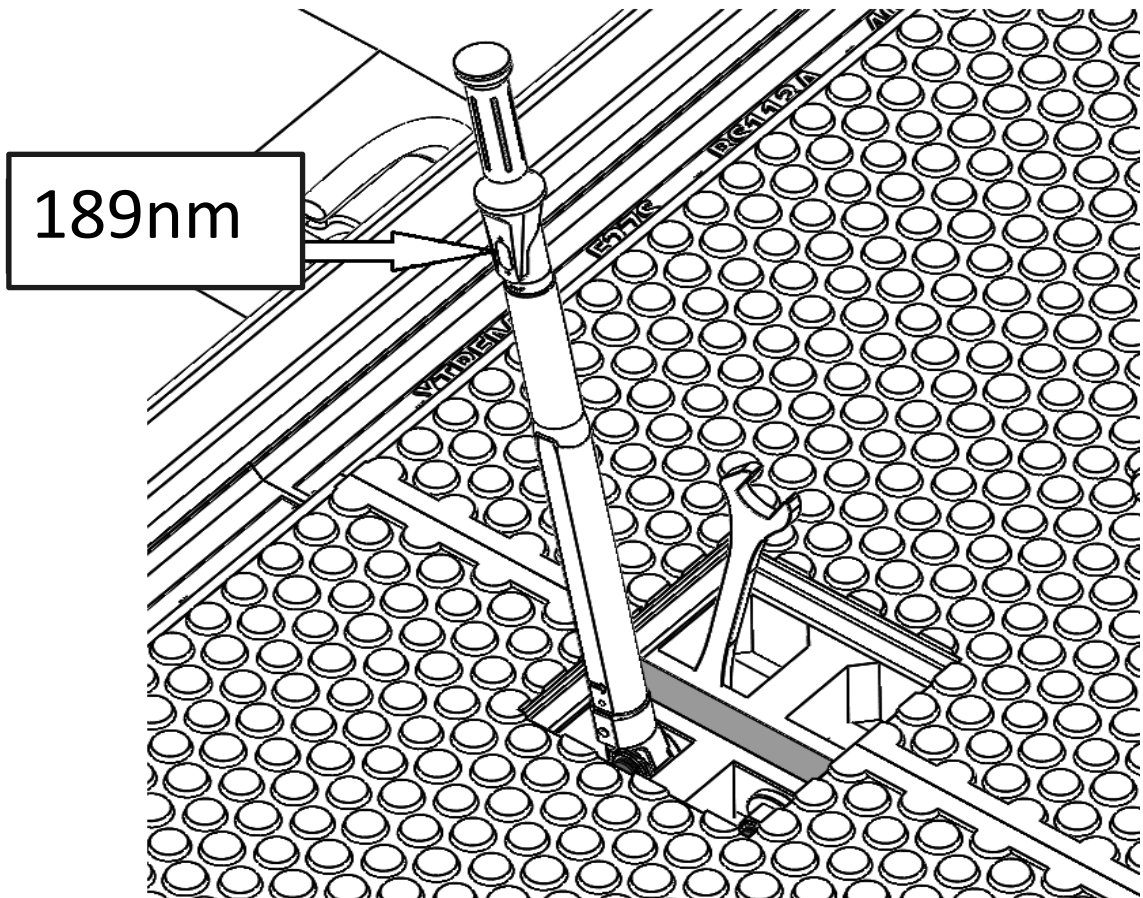
Large Serrations on single washers

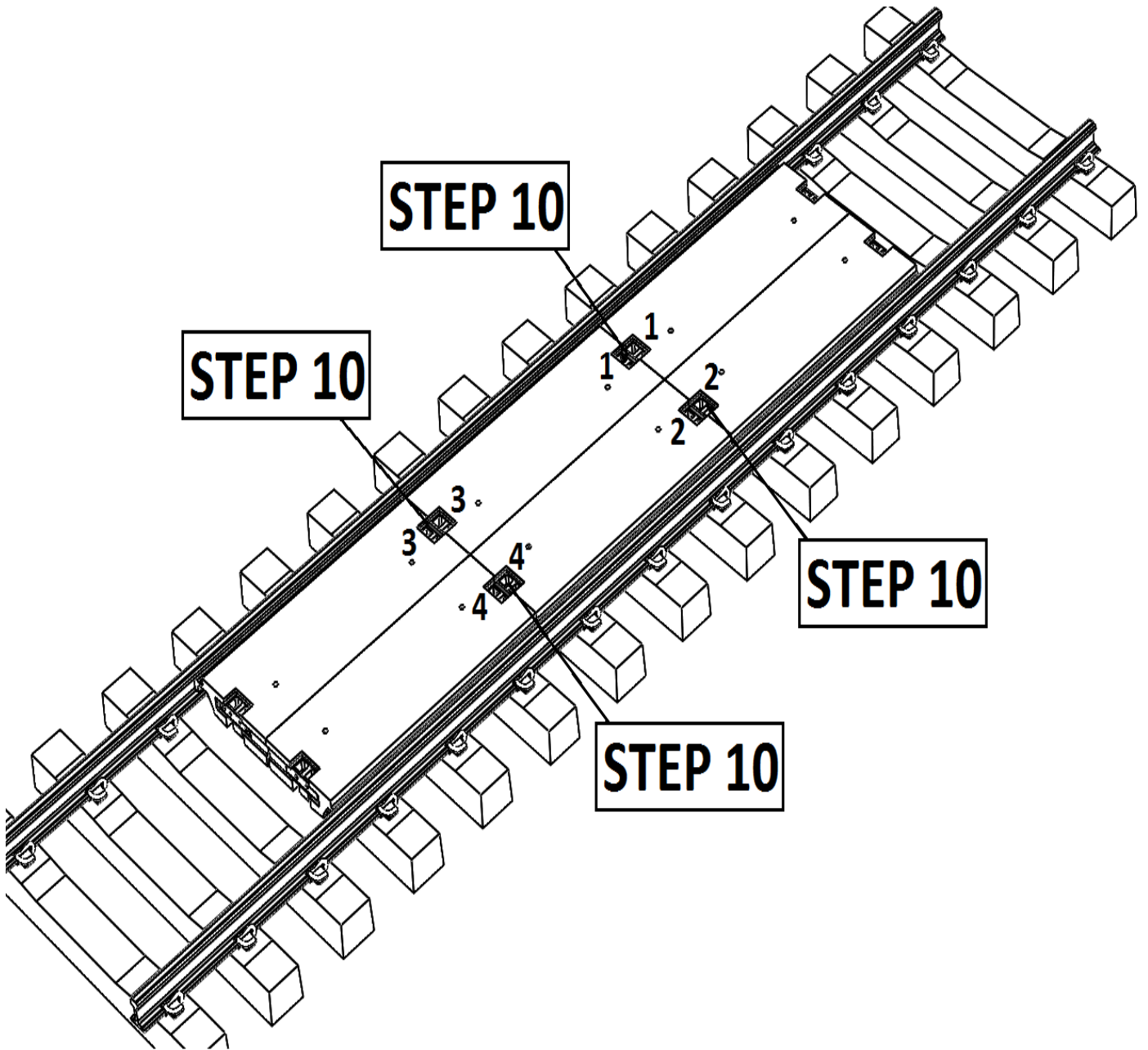


9

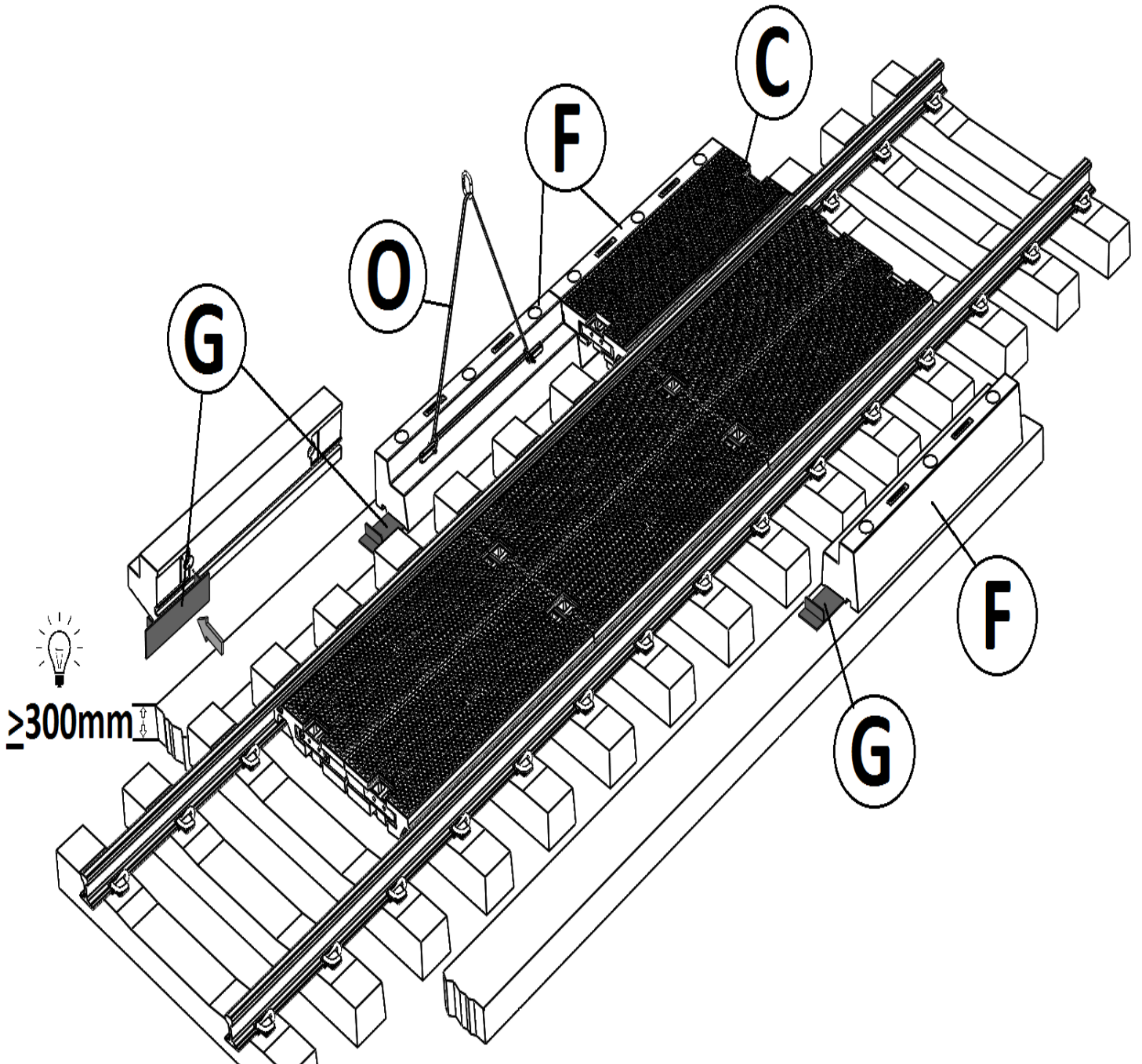


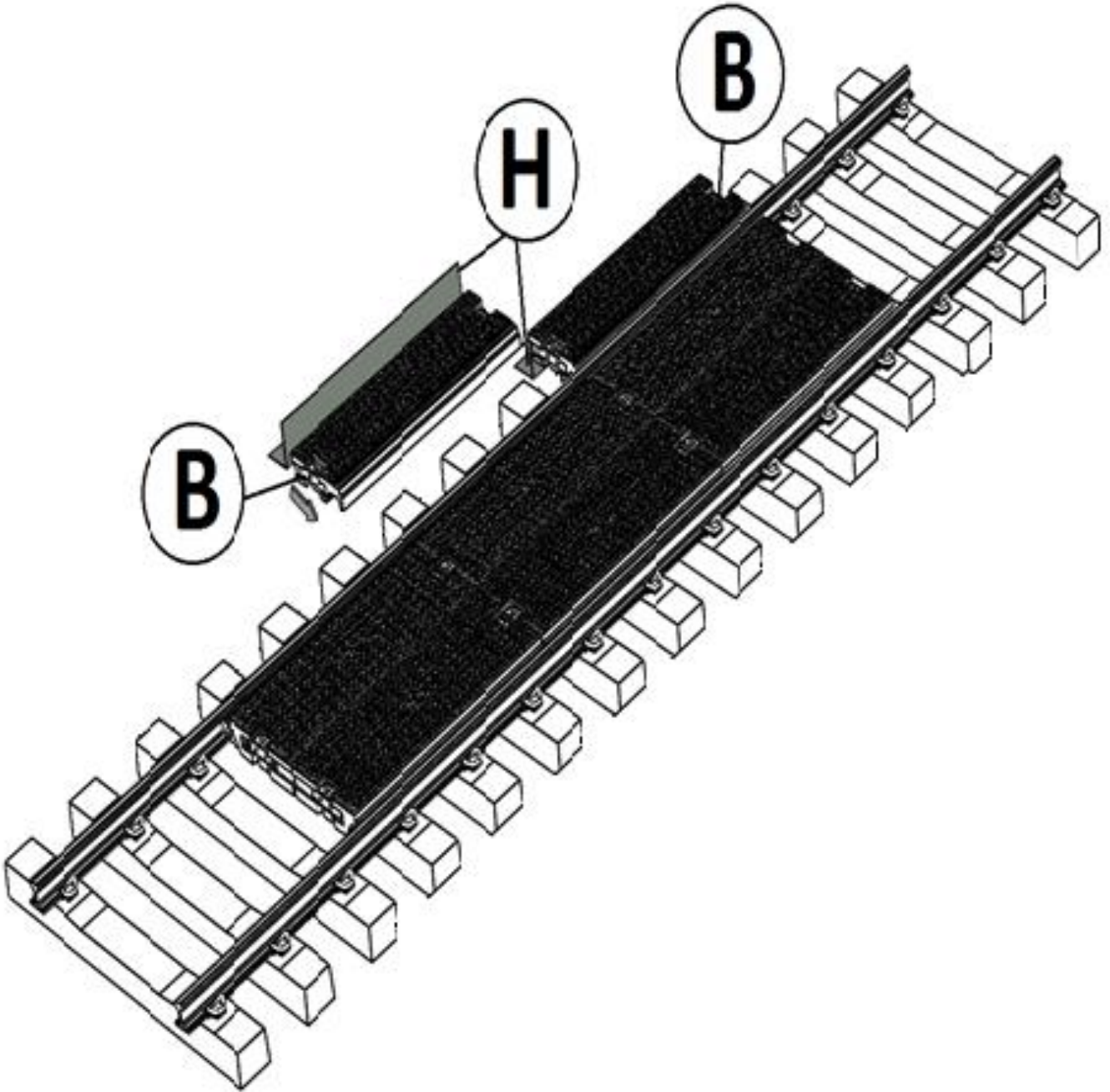
10 



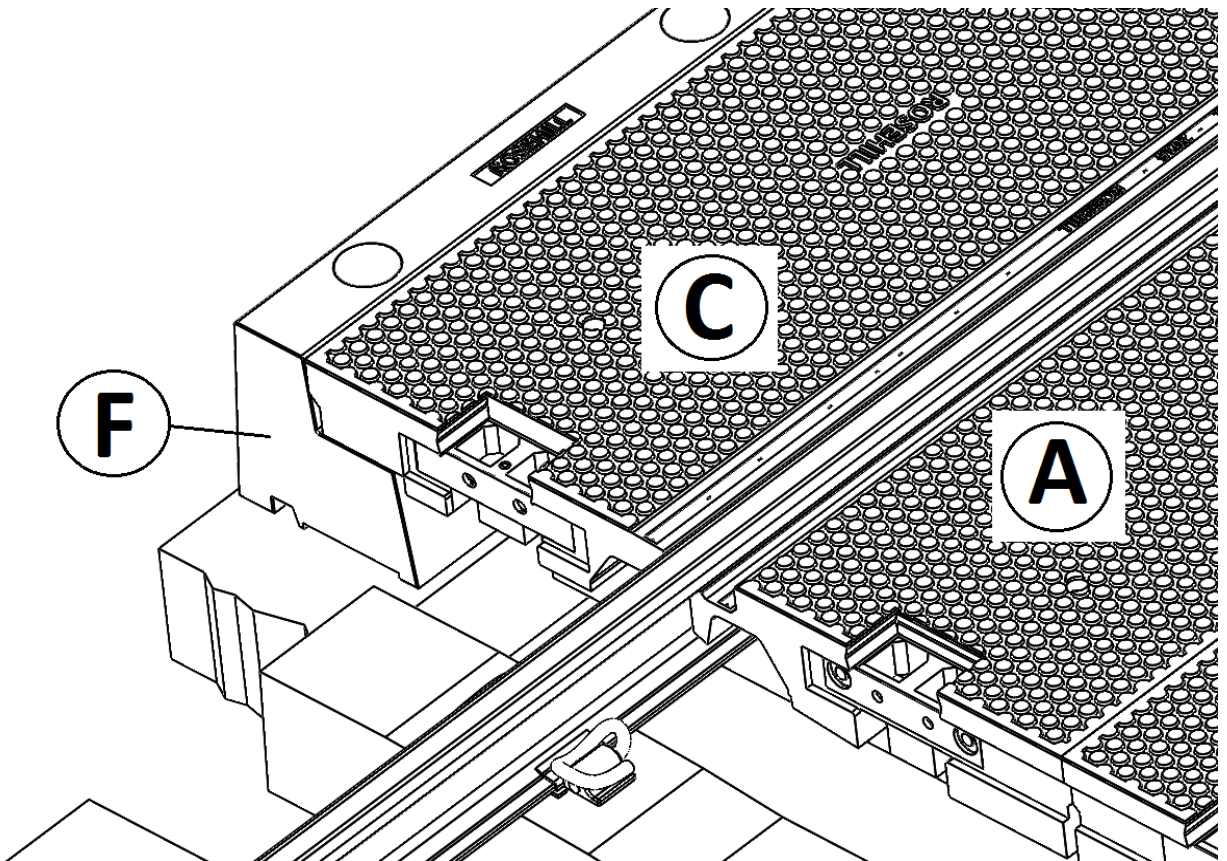
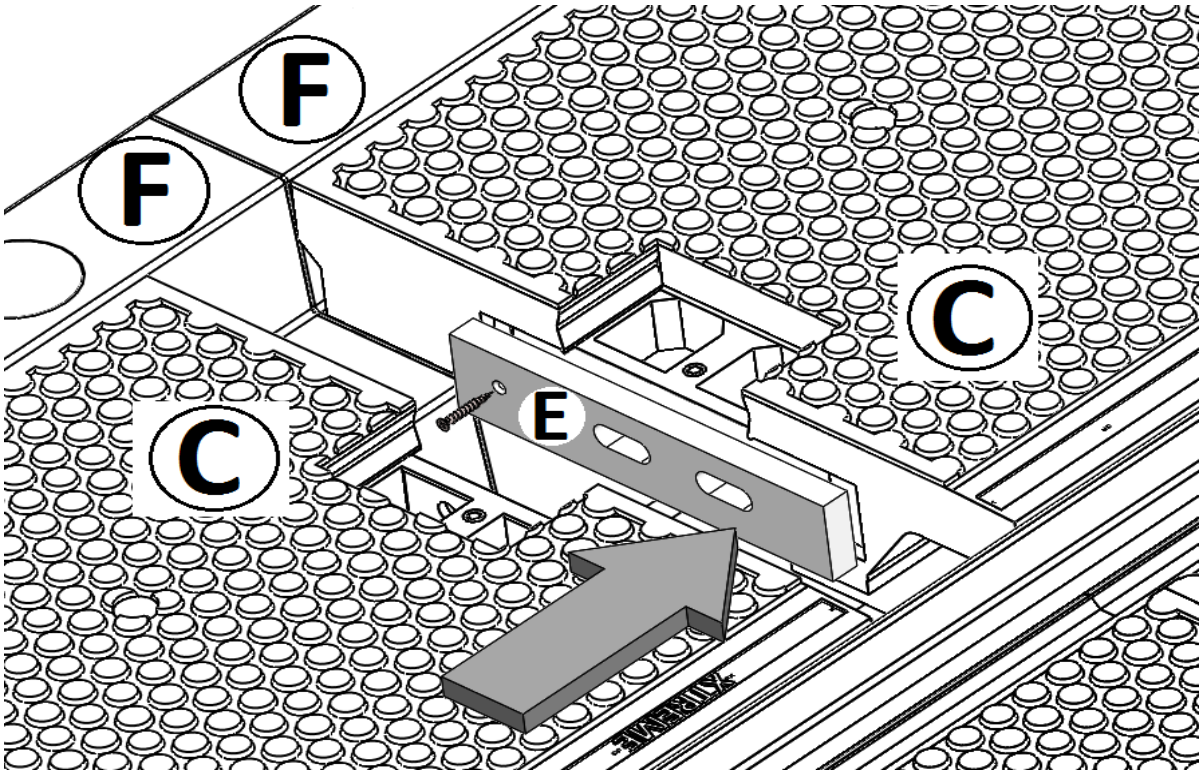


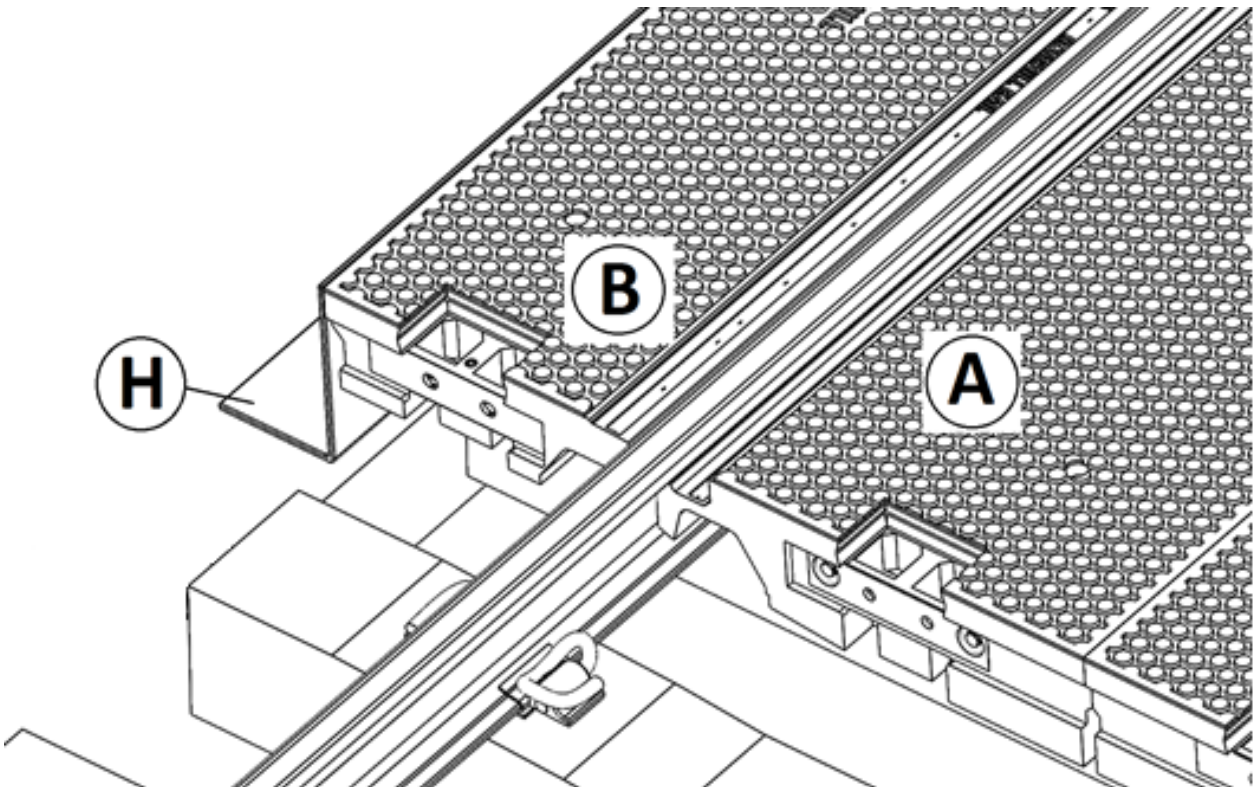
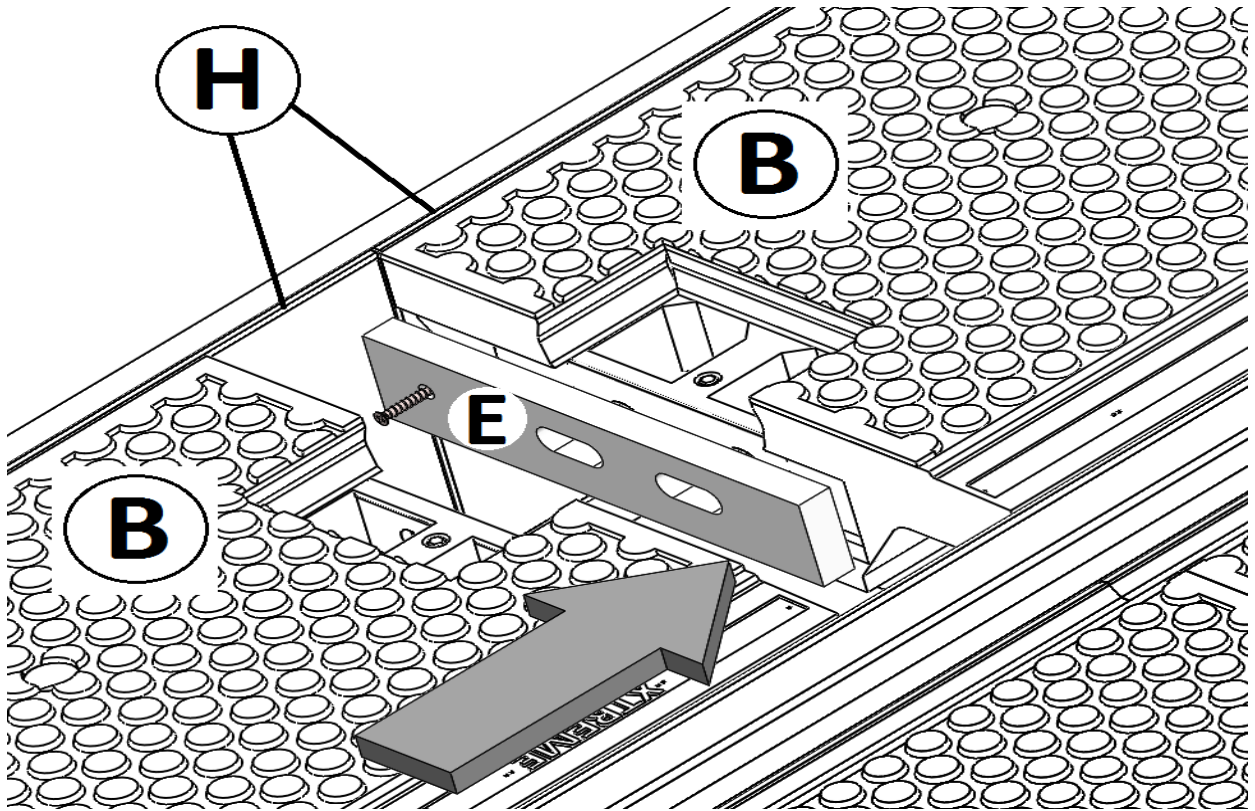
12a



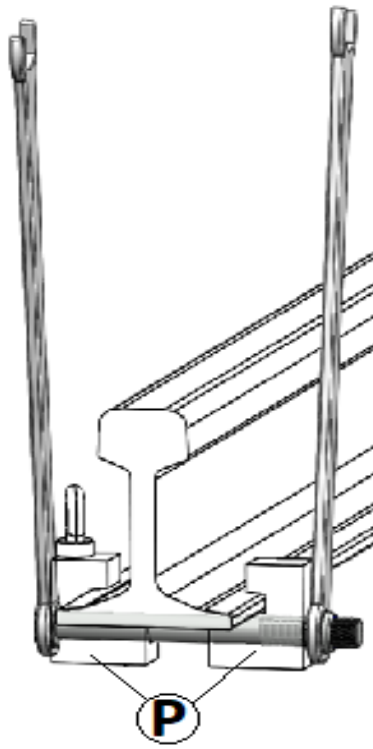


13a

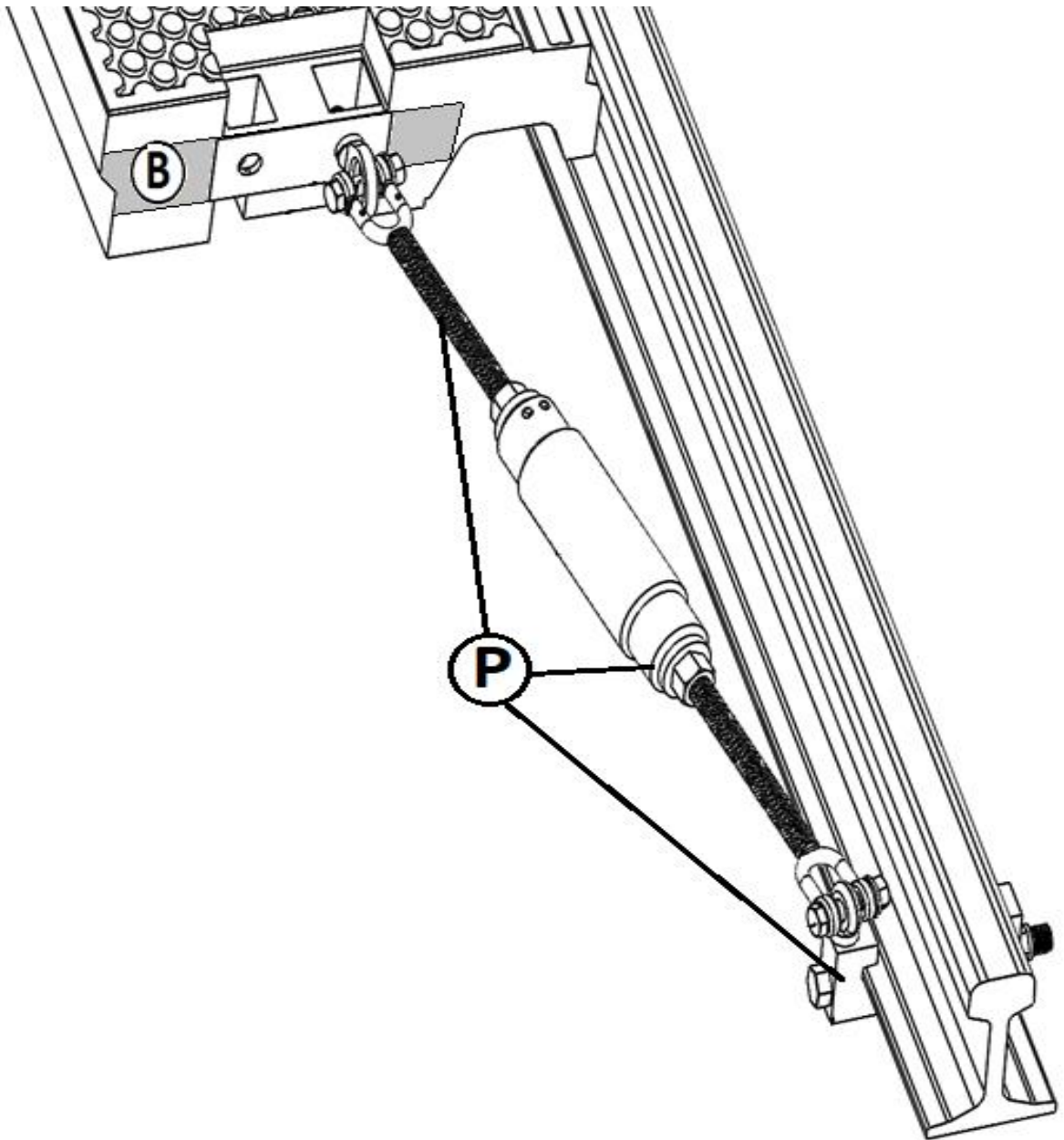




14a

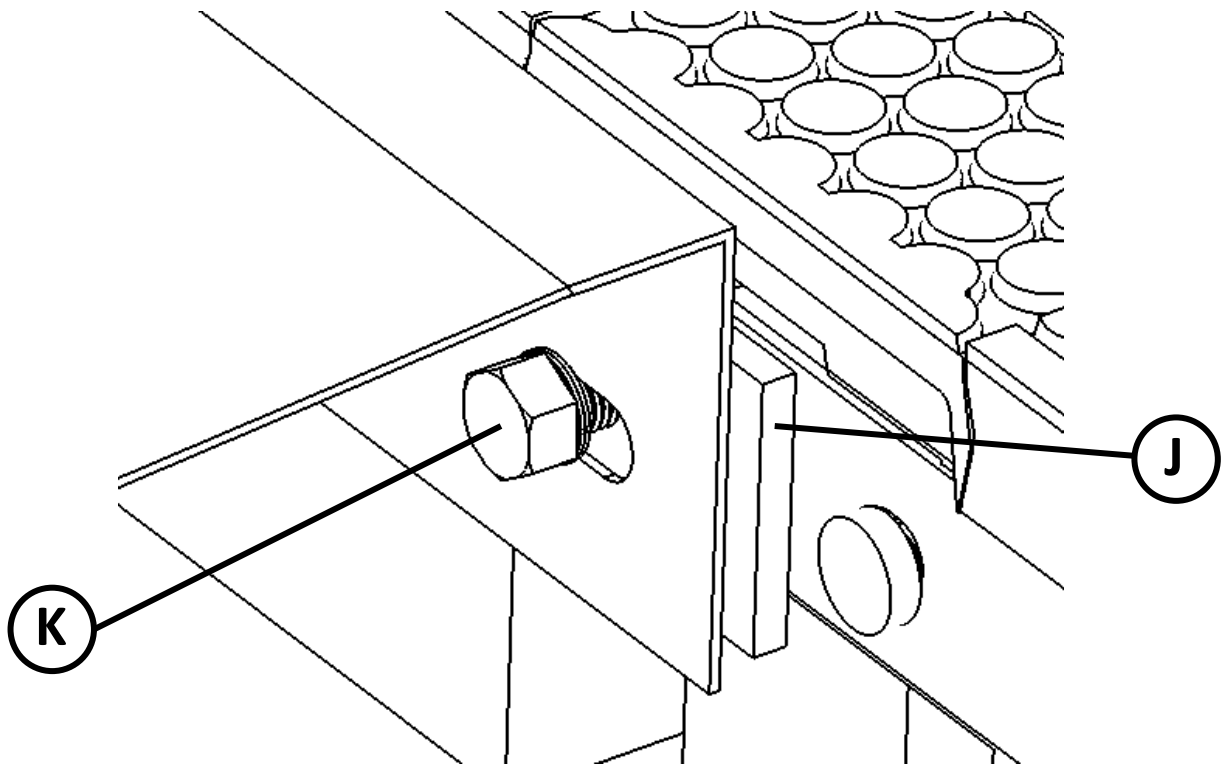


14b

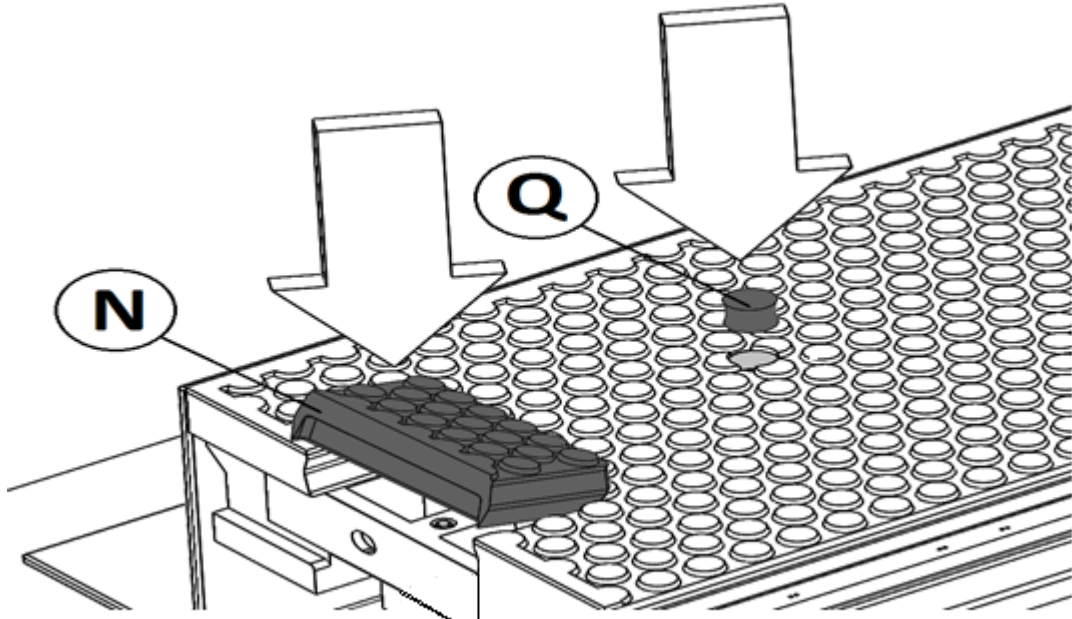
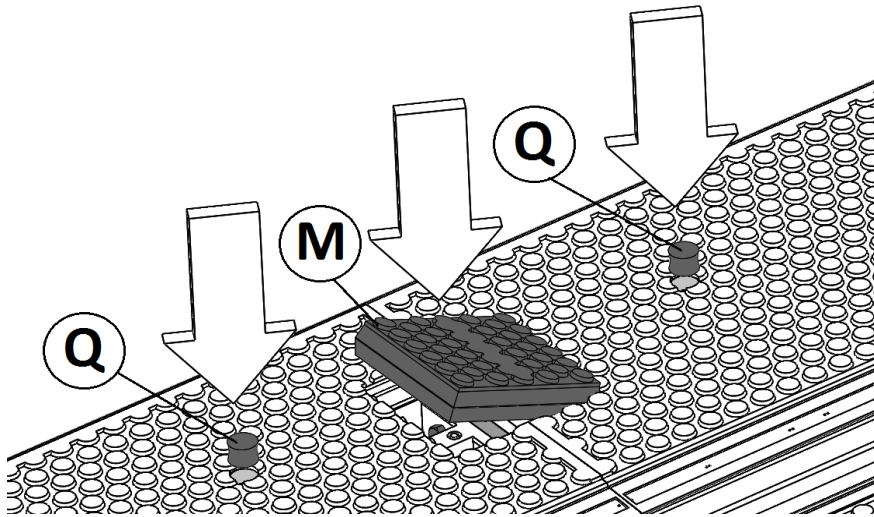


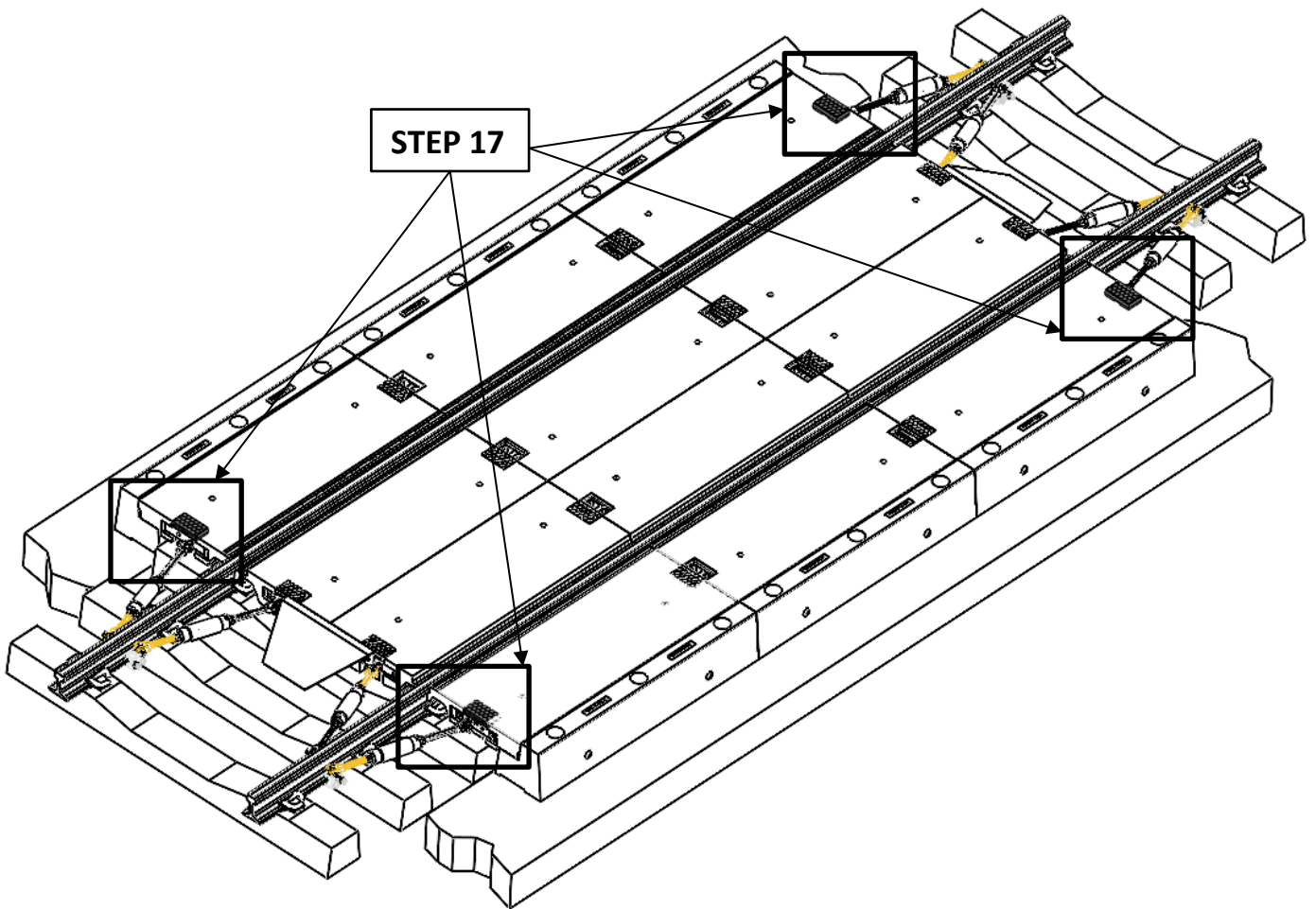
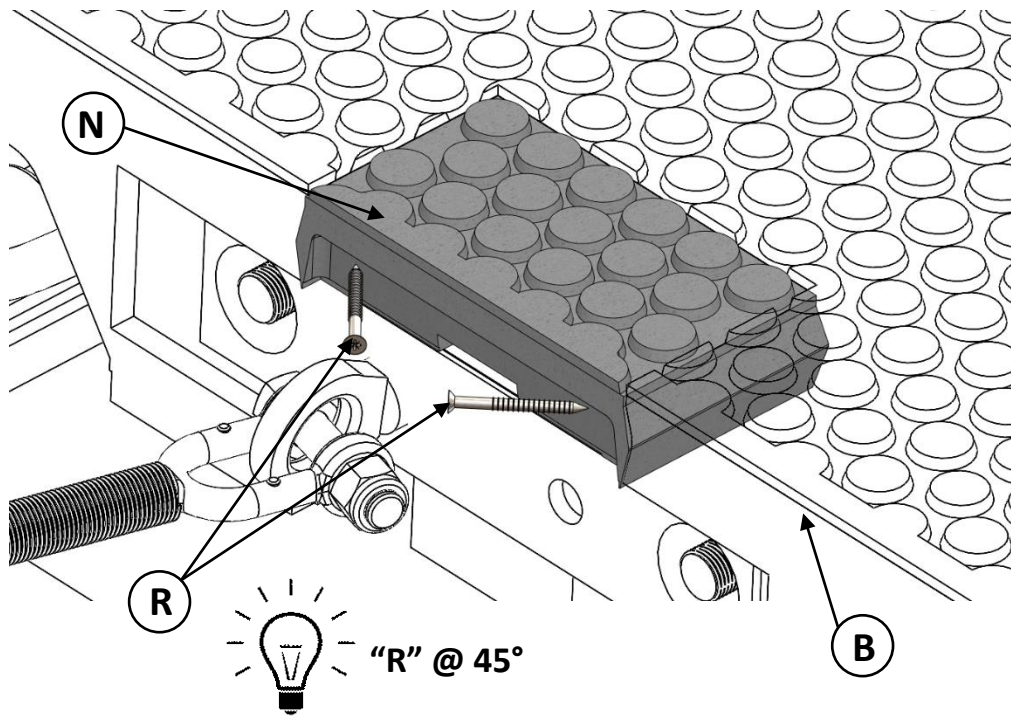


15



16





**Tel.+44 (0)1422 839610**

**E-mail. [sales@rosehillrail.com](mailto:sales@rosehillrail.com)**

**E-mail. [technical@rosehillrail.com](mailto:technical@rosehillrail.com)**

**V7 /2023**