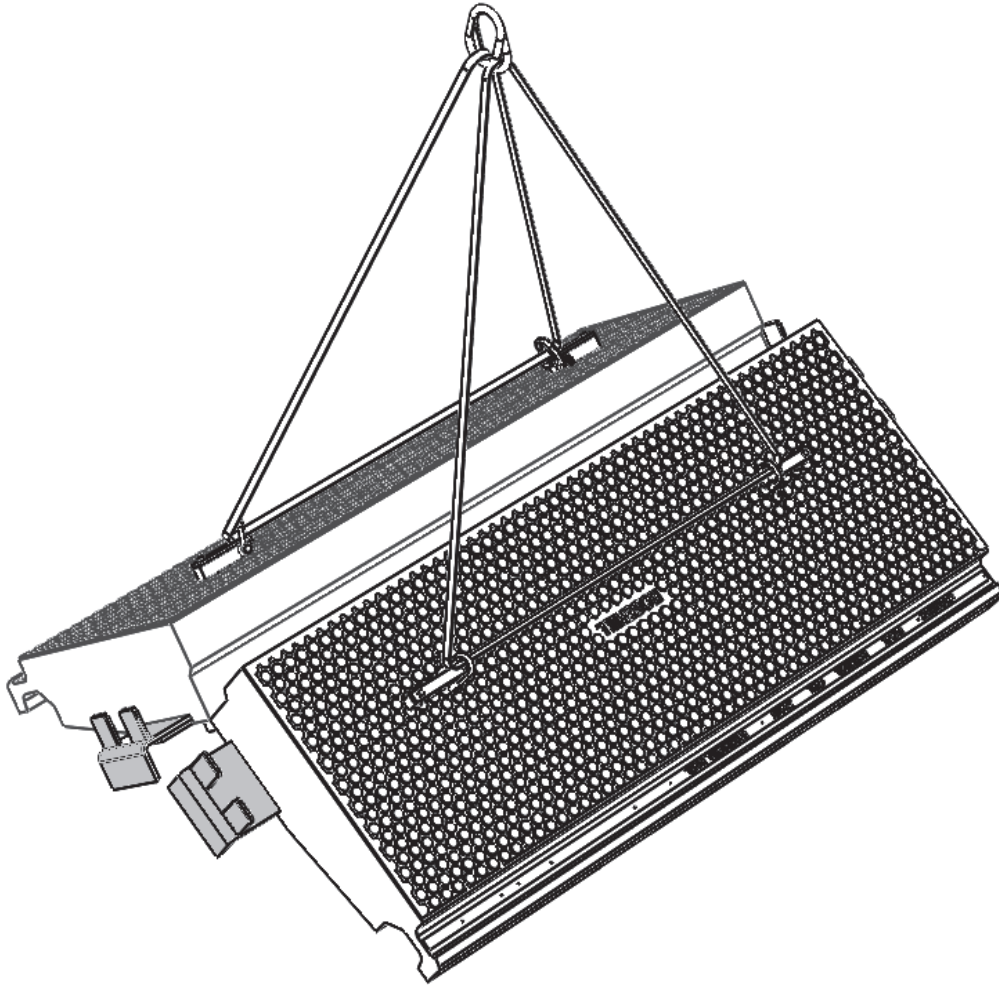


Baseplated Crossing System

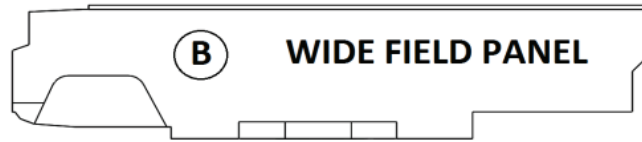
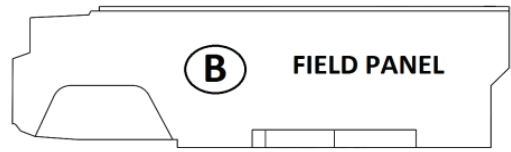
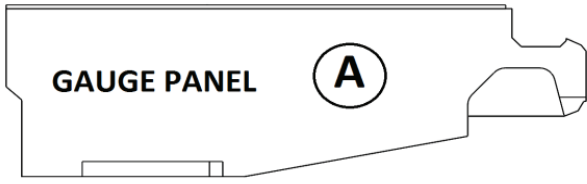


Installation Guide

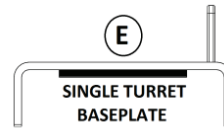


BASEPLATE COMPONENTS LIST.

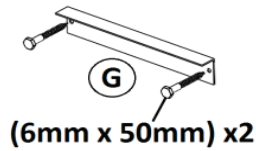
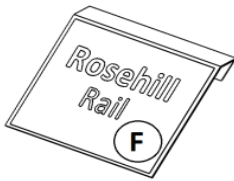
PANELS



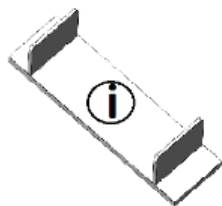
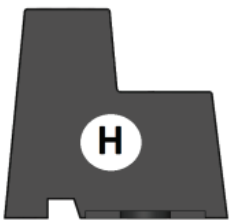
BASEPLATES



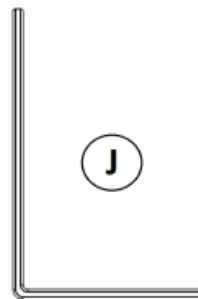
CHAIN GUARD / FIXING PLATE & SCREWS



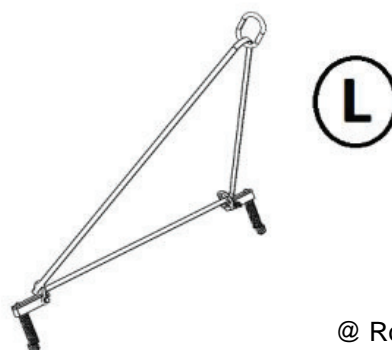
RUBBER EDGE BEAM & CONNECTING PLATE



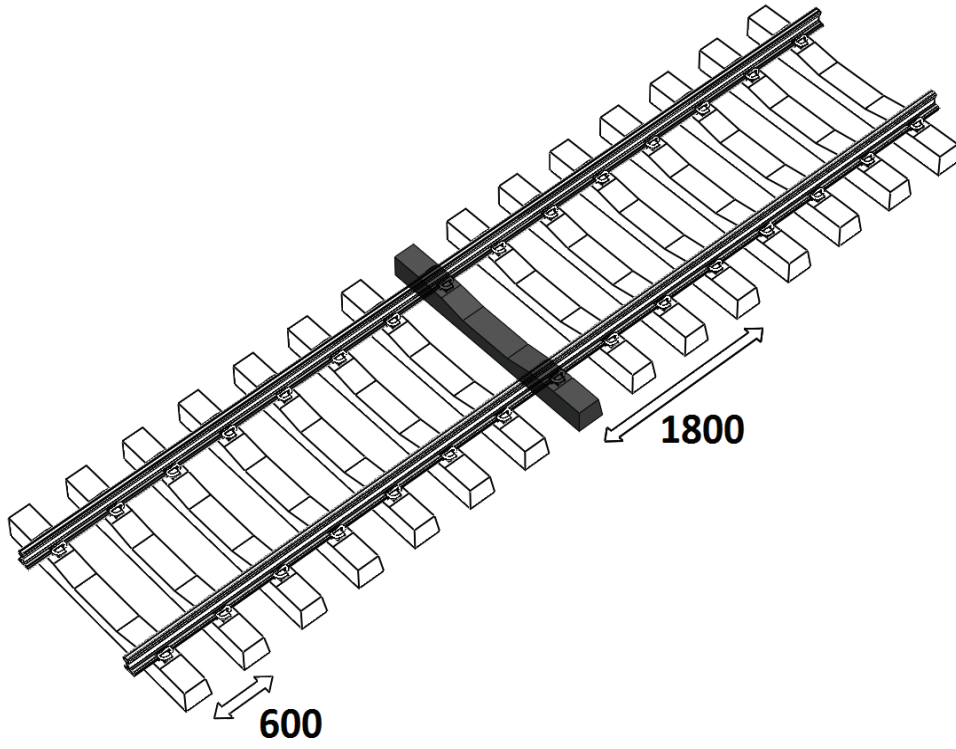
PVC EDGE BEAM



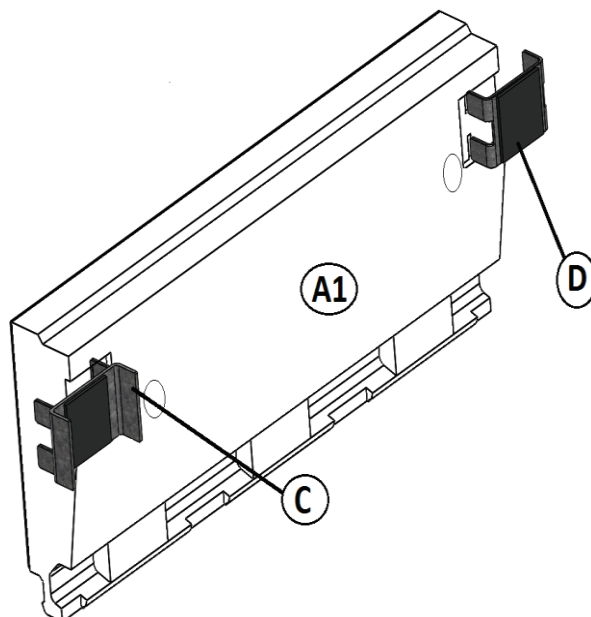
ROSEHILL LIFTING PIN KIT



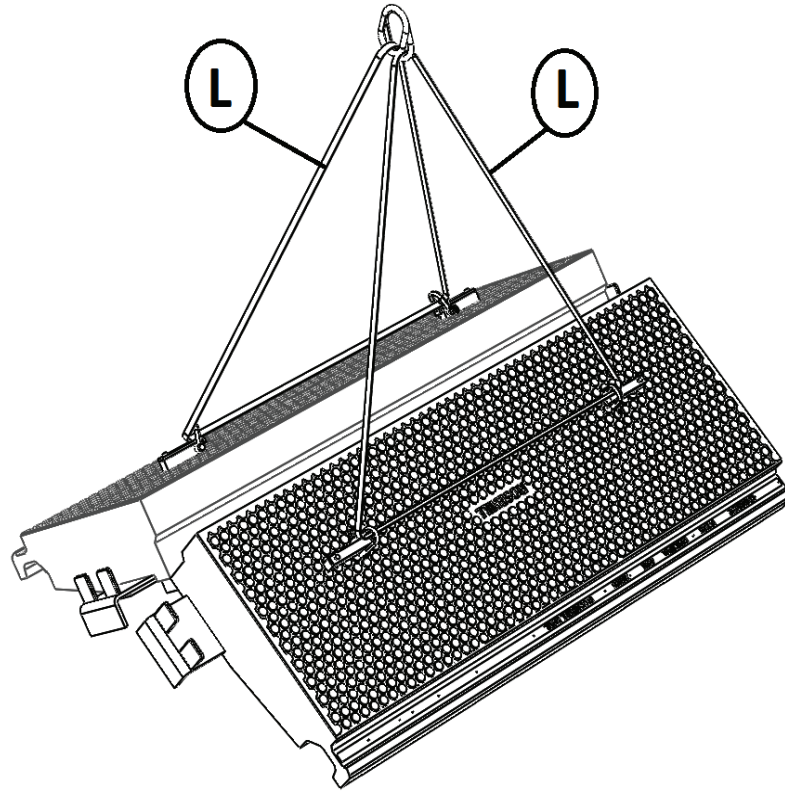
1



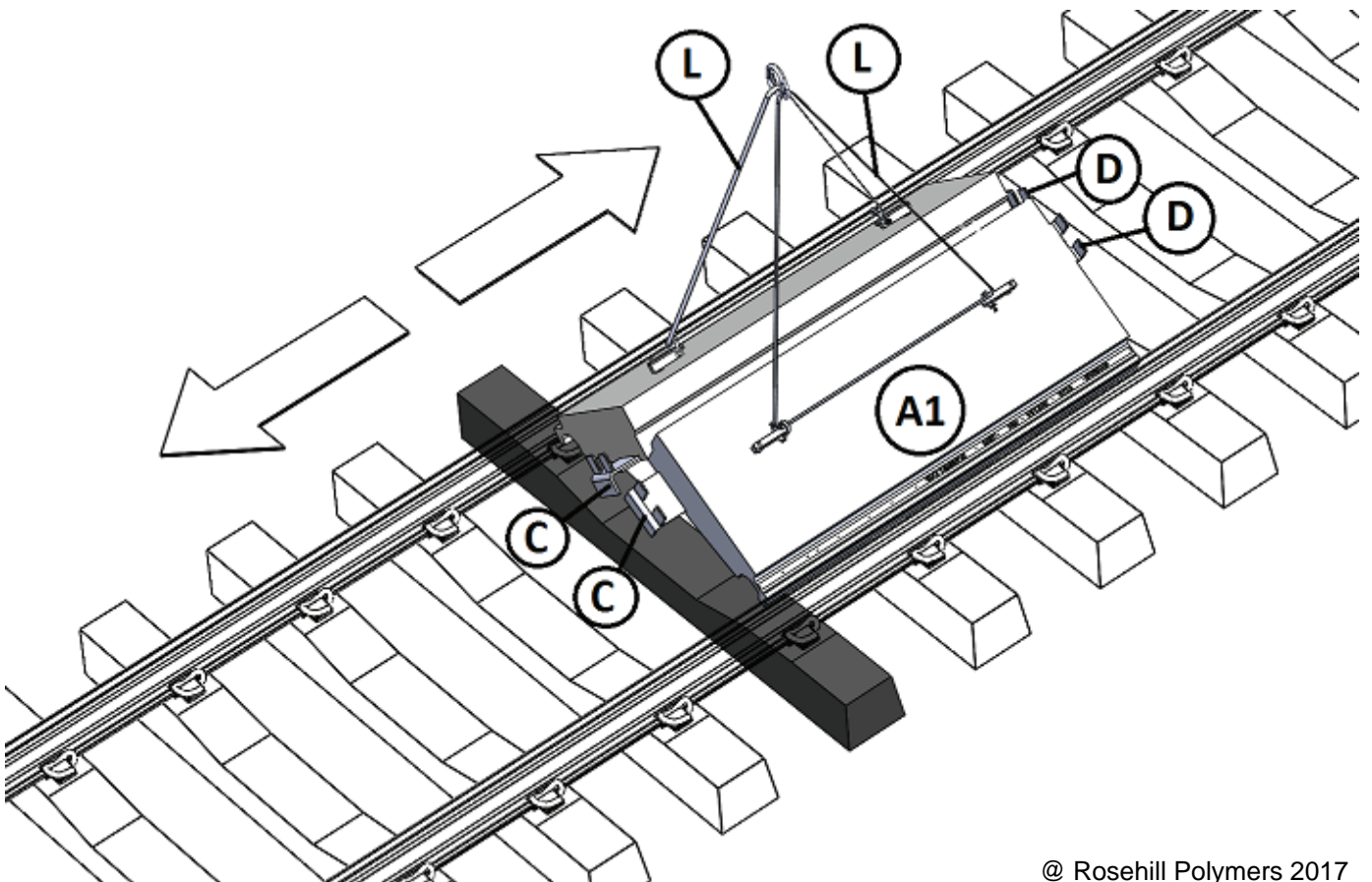
2



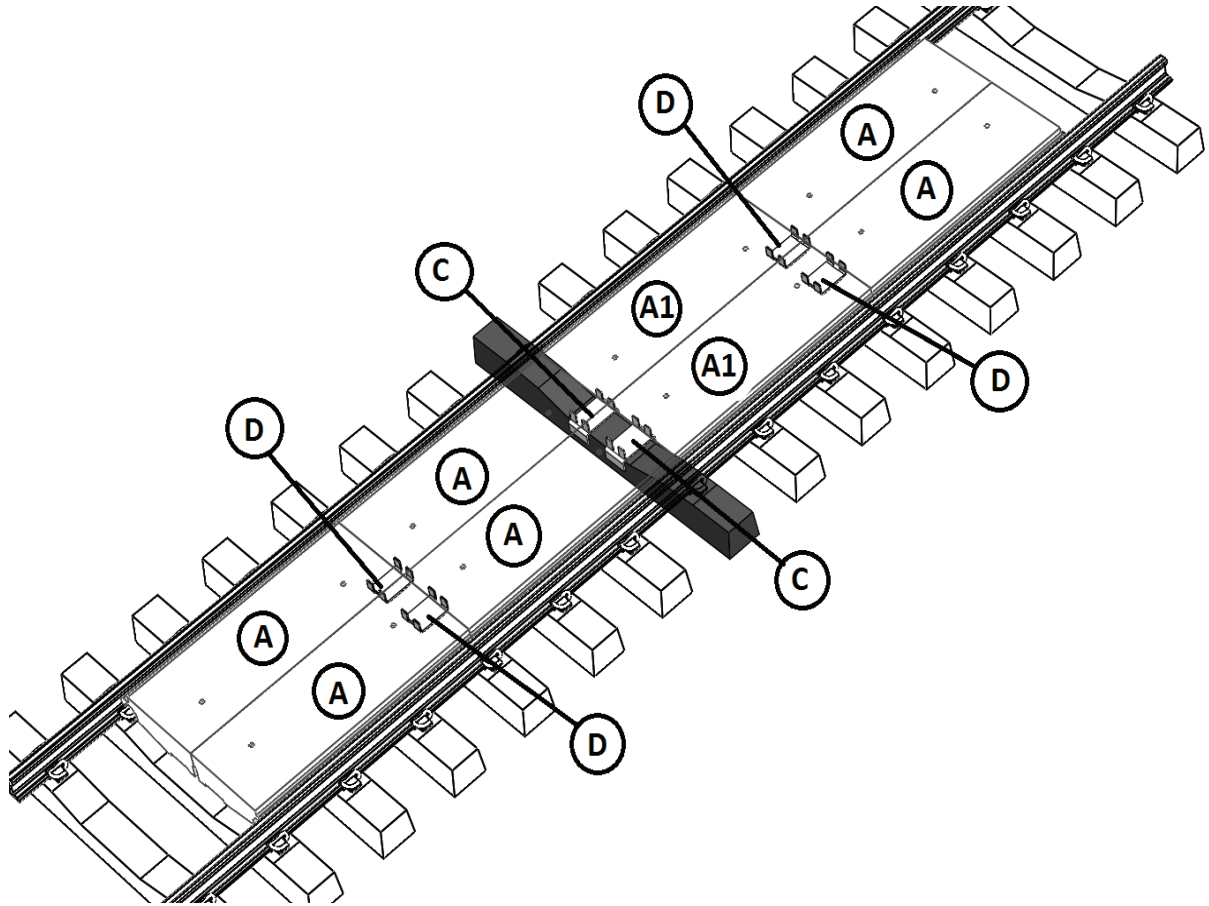
3



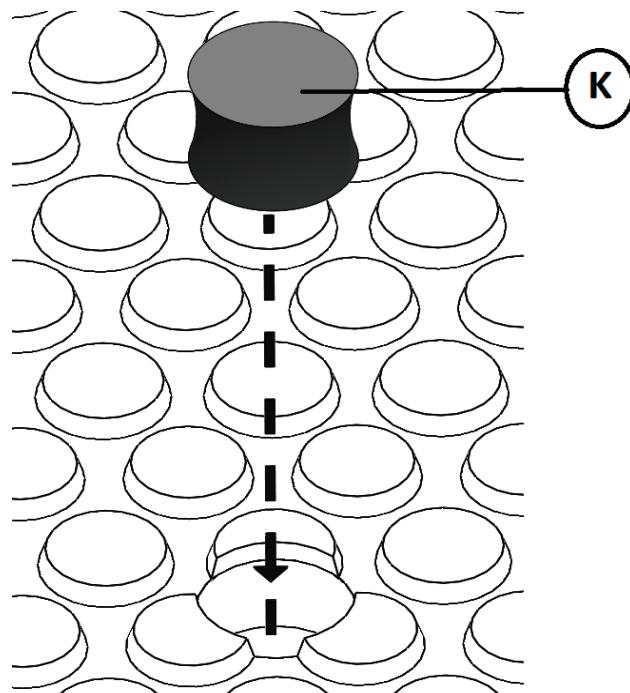
4



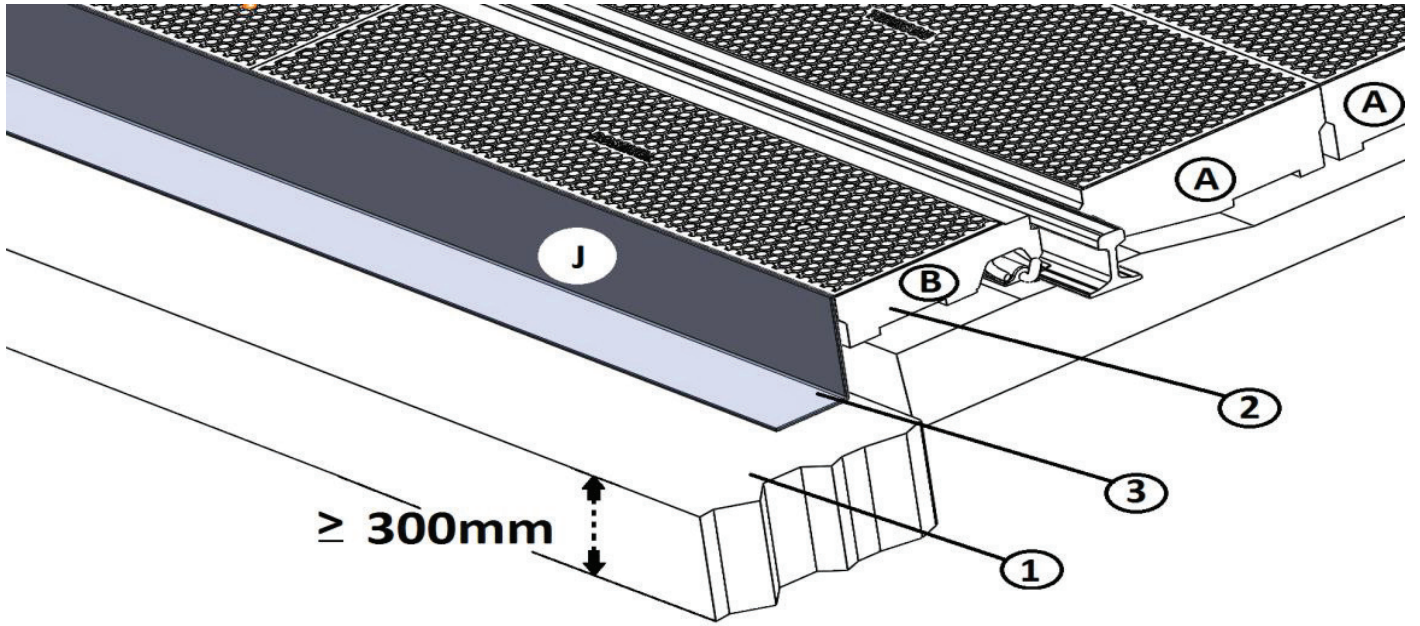
5



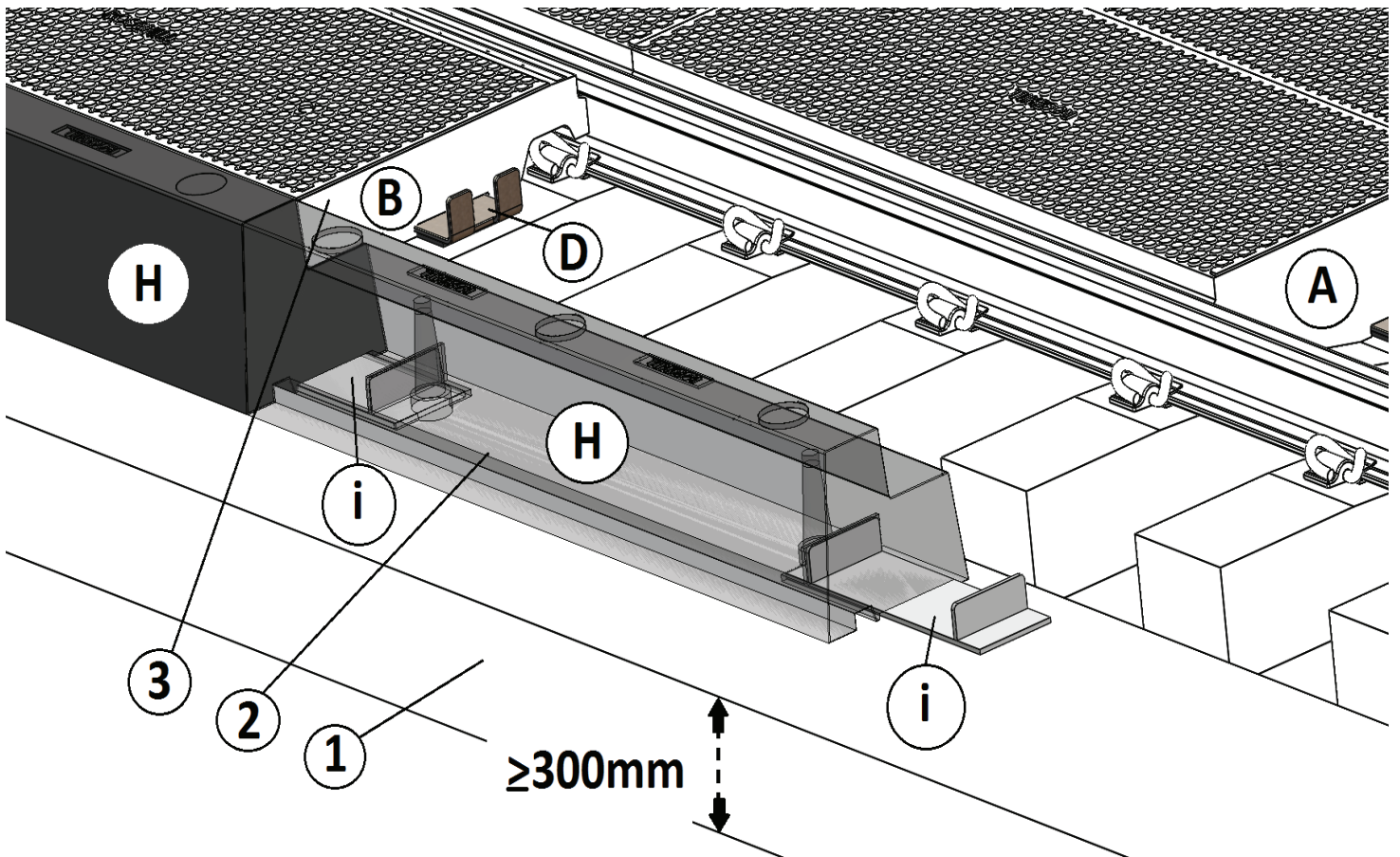
6

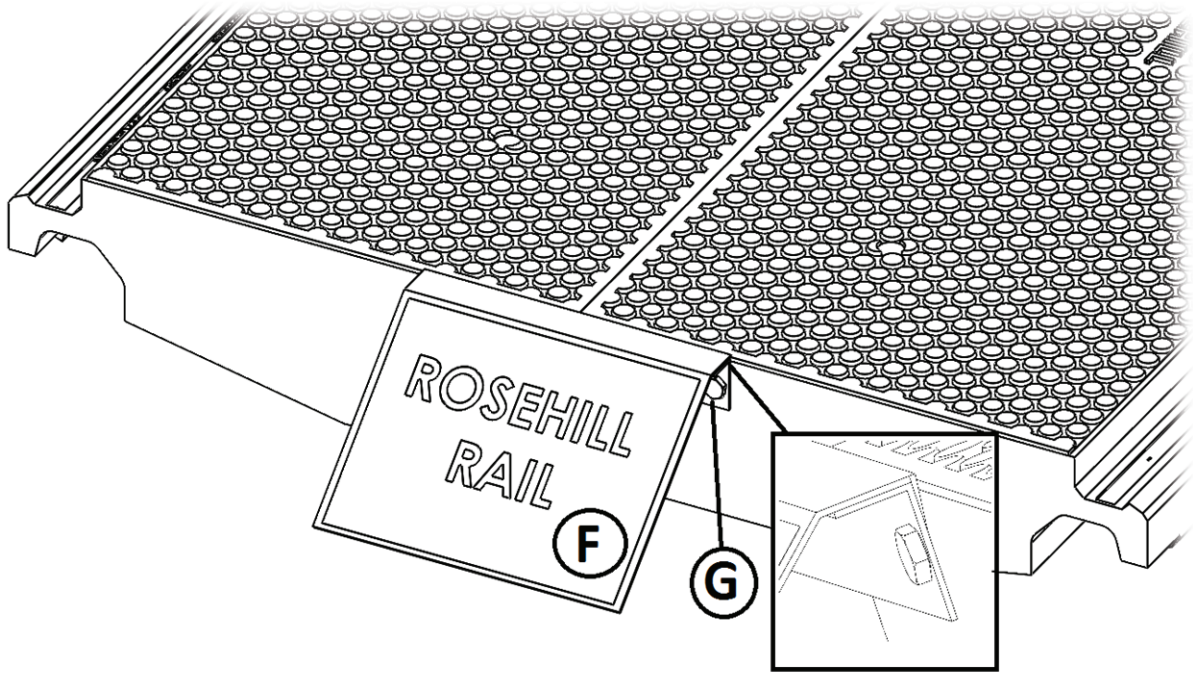
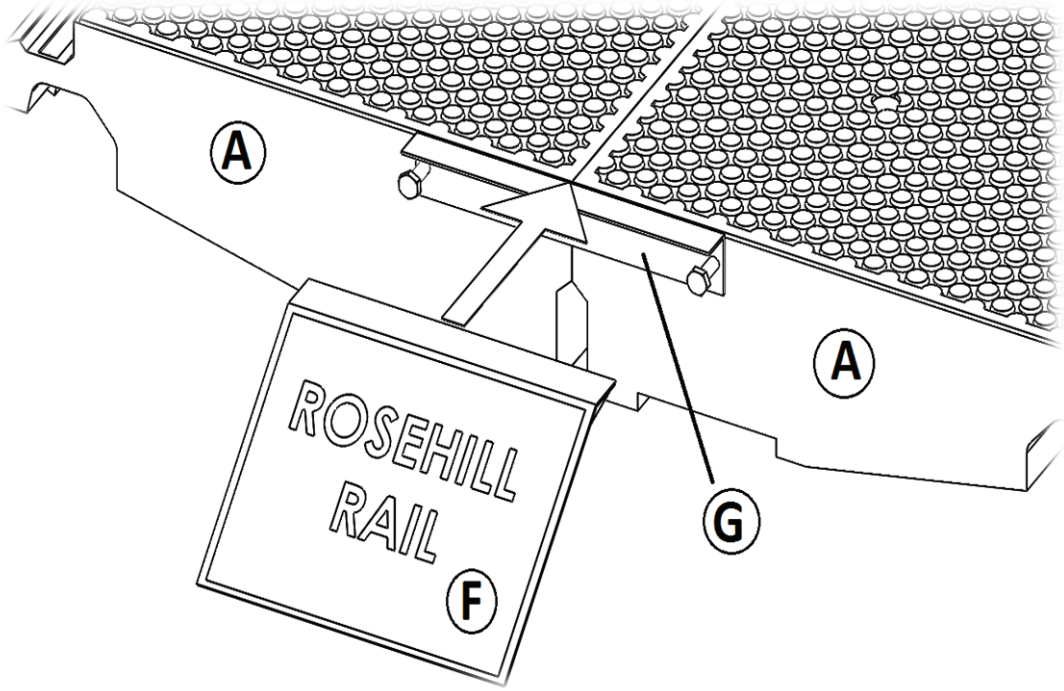


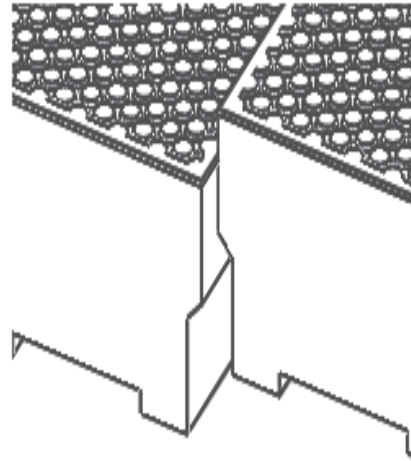
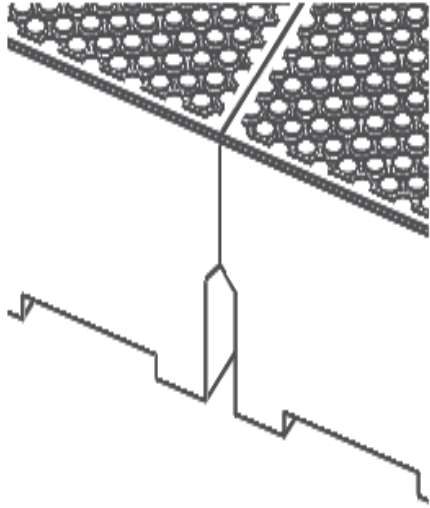
7A



7B







Tel.+44 (0)1422 839

E-mail. [sales@rosehill rail.com](mailto:sales@rosehillrail.com)

E-mail. [technical@rosehill rail.com](mailto:technical@rosehillrail.com)